



TOMOS NITRO 50

SPARE PARTS MANUAL



Contents

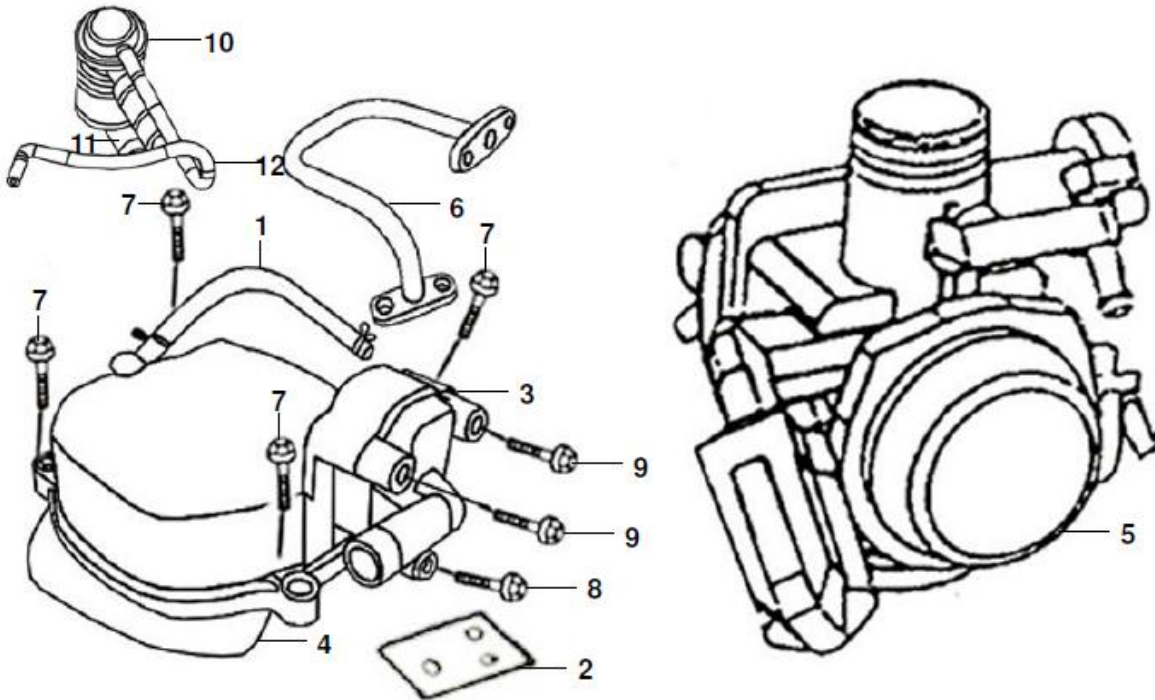
CAM SHAFT&CYL. HEAD L. SIDE CO.....	5
FUN COVER ,ENGINE SHROUD ASSY	6
CYLINDER HEAD, IN PIPE ASSY	7
CHAM SHAFT	8
CAM. CHAIN, TEISSIONER LIFTER	9
CYLINDER.....	10
R. CRANK CASE COVER	11
MAGNETO	12
OIL PUMP	13
STARTER	14
L. CRANK CASE COVER.....	15
MOVABLE DRIVE FACE ASS'Y	16
DRIVEN PULLEY ASS'Y	17
TRANSMISSION CASE,DRIVE SHAFT	18
CRANK CASE	19
CRANK SHAFT	20
HEAD LIGHT	21
SPEEDO METER.....	22
CABLE, SWITCH,HANDLE LEVER	23
FRONT BRAKE MASTER CYLINDER.....	24
FRONT CALIPER ASSY.....	25
HANDLE PIPE, HANDLE COVER	26
FRONT COVER, FRONT INNER BOX.....	27
FLOOR PANEL, CENTER COVER.....	28
REAR GRIP	29
REAR BODY COVER.....	30
FRONT FORK STEERING STEM, FRONT CUSHION	31

Nitro 50 Spare parts catalogue

FRONT WHEEL.....	32
REAR WHEEL.....	33
SEAT REAR GRIP.....	34
FUEL TANK.....	35
BATTERY, TOOL BOX.....	36
AIR CLEANER.....	37
EXHAUST MUFFLER	38
MAIN STAND, KICK STARTER ARM	39
TAIL LIGHT, RR. CUSHION.....	40
REAR FENDER, REAR INNER FENDER.....	41
WIRE HARNESS.....	42
FRAME BODY,ENGINE HANGER.....	43

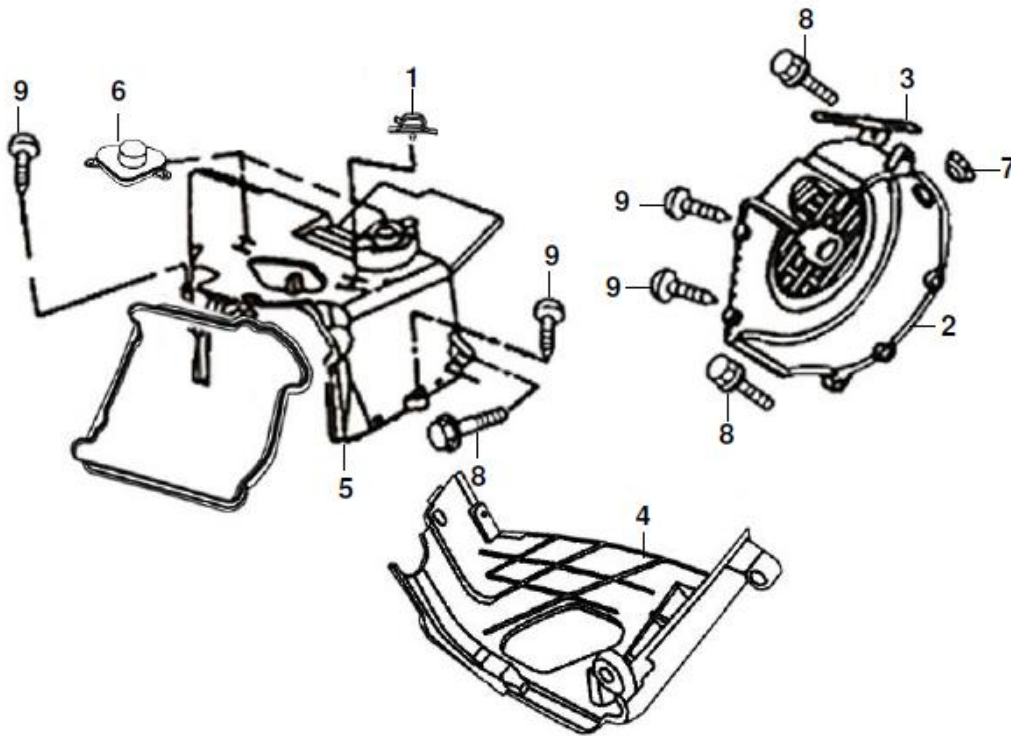
TYPE-MODEL	MODELS
237500 NITRO 50 45 km/h	
237520 NITRO 50 25 km/h	
Vin-nr. is denominated from 4 to 11. nr. for EU directive	

CAM SHAFT&CYL. HEAD L. SIDE CO



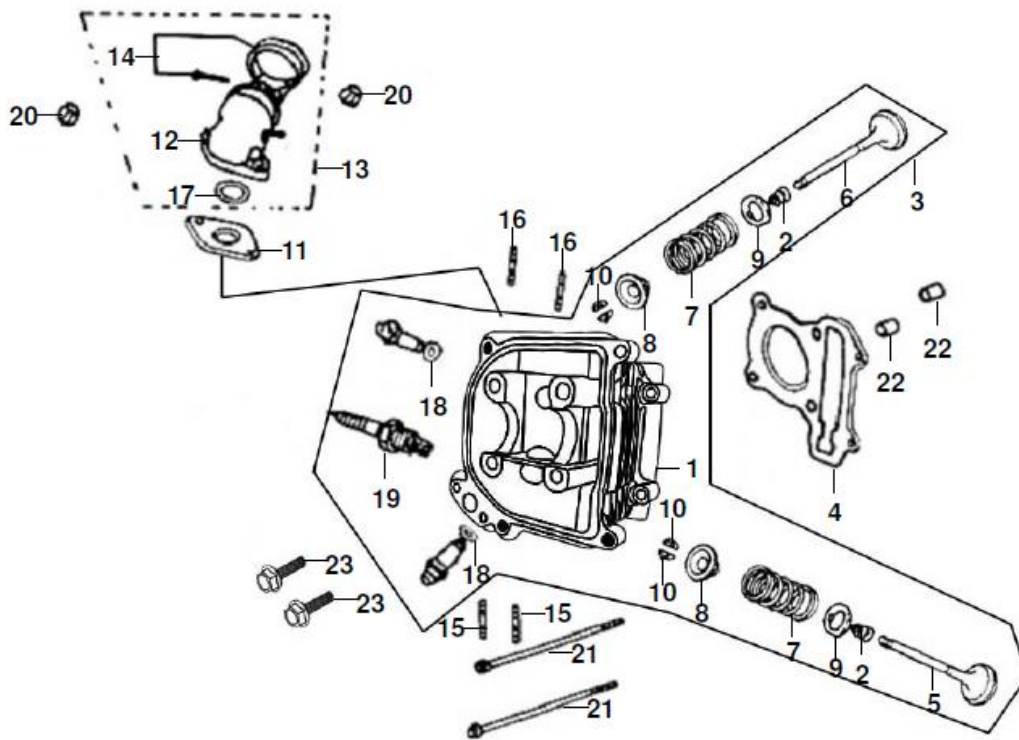
No.	Part No.	Denomination	Quantity
1	244606	Breather tube ASSY	1
2	244607	Breather cover	1
3	244608	Head cover COMP	1
4	244609	Head cover gasket	1
5	244610	Carburetor ASSY	1
6	244611	AI pipe	1
7	244612	SH.FLANGE BOLT M6X25	4
8	244613	SH. flange bolt 6x16	1
9	244430	SH. flange bolt 6*25	2
10	244614	A.I.C.V. unit	1
11	244615	A.I.C.V.-reed valve tube	1
12	244616	AICV tube(IN)	1

FUN COVER ,ENGINE SHROUD ASSY



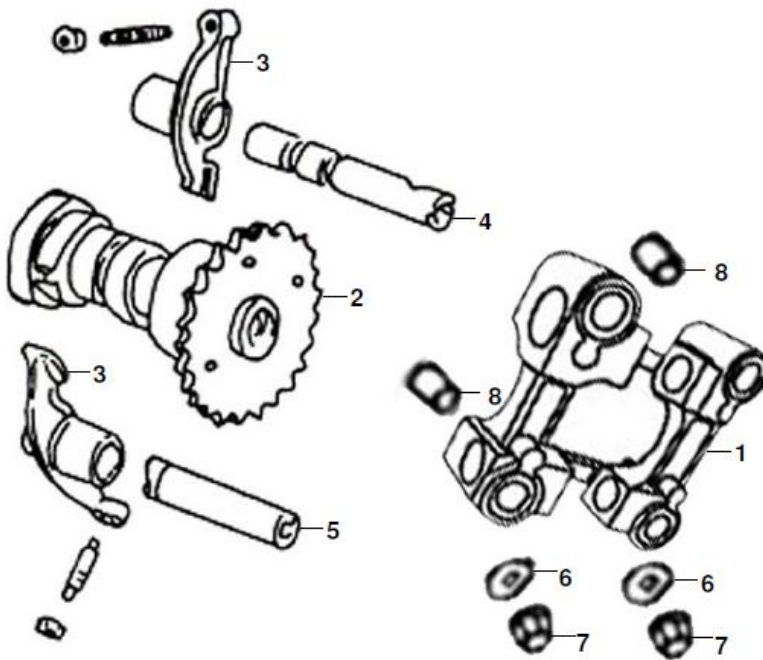
No.	Part No.	Denomination	Quantity
8	244003	Tapping screw 5x16	3
9	244430	SH. flange bolt 6*25	4
1	244598	Breather tube clamer	1
2	244599	Fan cover COMP	1
3	244600	Starter motor cord clamer	1
4	244601	Shroud A COMP	1
5	244602	Shroud B COMP	1
6	244603	Shroud B grommet	1
7	244604	Side panel grommet B	1
*	244605	Shroud AB seal	1

CYLINDER HEAD, IN PIPE ASSY



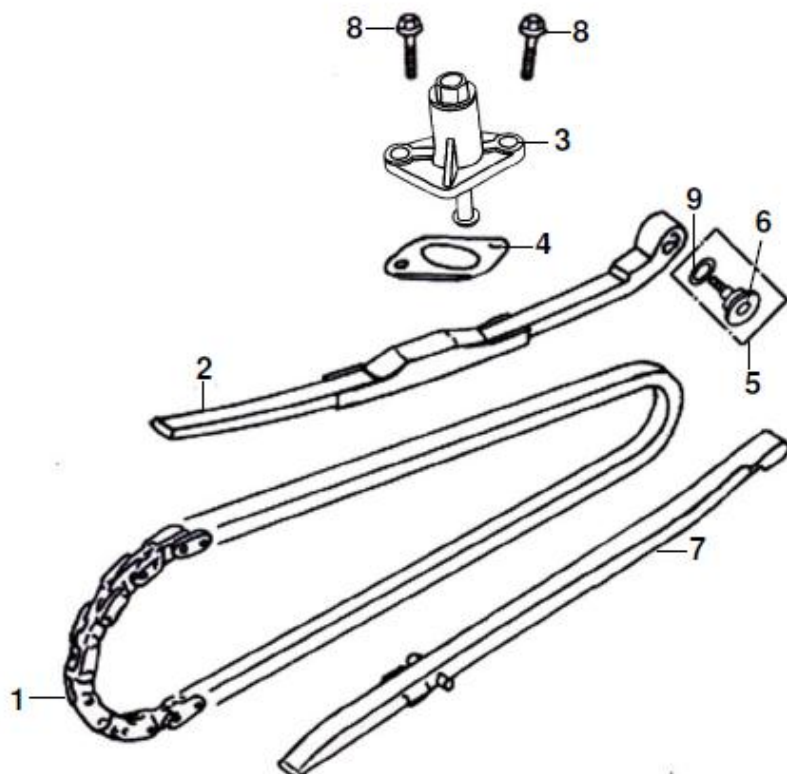
No.	Part No.	Denomination	Quantity
1	244617	Cylinder head COMP	1
2	244618	Valve stem seal	2
3	244619	Cylinder head ASSY	1
4	244620	Cylinder head gasket	1
5	244621	IN. valve	1
6	244622	EX. valve	1
7	244623	Valve outer spring	2
8	244624	Valve spring retainer	2
9	244625	Valve spring seat outer	2
10	244626	Valve cotter	4
11	244627	Carburetor Insulator	1
12	244628	IN. pipe COMP	1
13	244629	IN. pipe ASSY	1
14	244630	Insulator band	1
15	244631	STUD BOLT 6*32	2
16	244632	Stud bolt 6x50	2
17	244633	O-Ring 7.5x1.5	1
18	244451	O-Ring 9x1.6	2
19	244454	Spark plug (CR7HSA)	1
20	244235	Flange nut M6	2
21	244635	SH. flange bolt 6x85	2
22	244636	Dowel pin 8X14	2
23	244631	STUD BOLT 6*32	2

CHAM SHAFT



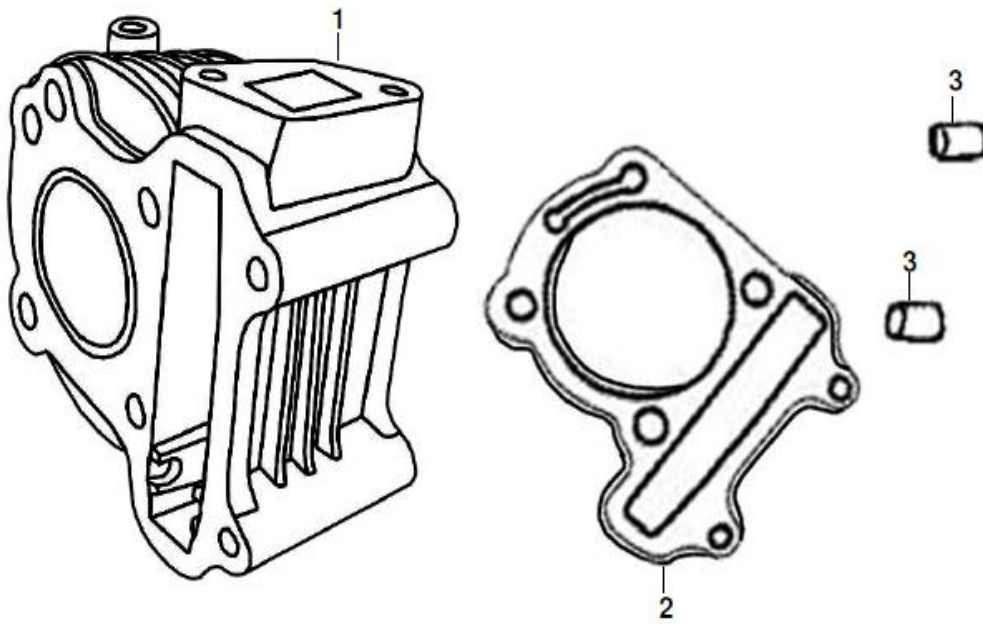
No.	Part No.	Denomination	Quantity
1	244638	EX. valve guide	1
2	244639	Cam shaft COMP	1
3	244640	Valve rocker arm	2
4	244641	IN. rocker arm shaft COMP	1
5	244642	EX. rocker arm shaft COMP	1
6	244643	Washer A	4
7	244644	Flange nut 7mm	4

CAM. CHAIN, TEISSIONER LIFTER



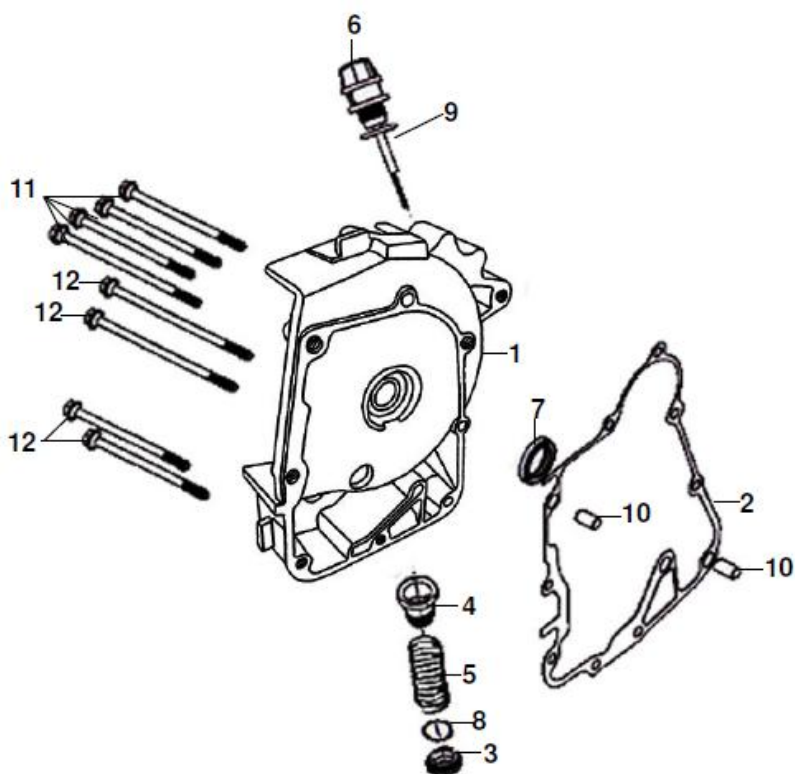
No.	Part No.	Denomination	Quantity
1	244647	Cam chain	1
2	244648	Cam chain tensioner	1
3	244649	Tensioner lifter ASSY	1
4	244650	Tensioner lifter gasket	1
5	244651	Tensioner pivot ASSY	1
6	244652	Tensioner pivot	1
7	244653	Cam chain guide COMP	1
8	244508	SH. flange bolt 6x18	2
9	244654	O-Ring 15.5x1.5	1

CYLINDER



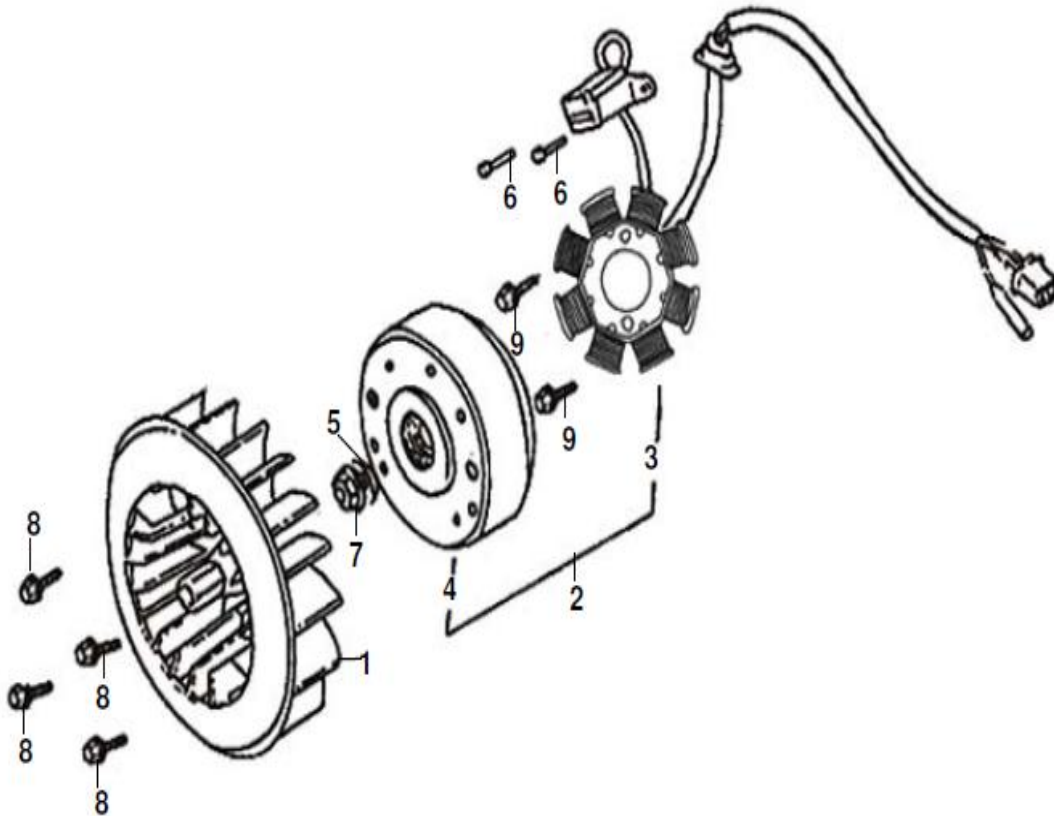
No.	Part No.	Denomination	Quantity
1	244555	Cylinder COMP	1
2	244556	Cylinder gasket	1
3	244636	Dowel pin 8X14	2

R. CRANK CASE COVER



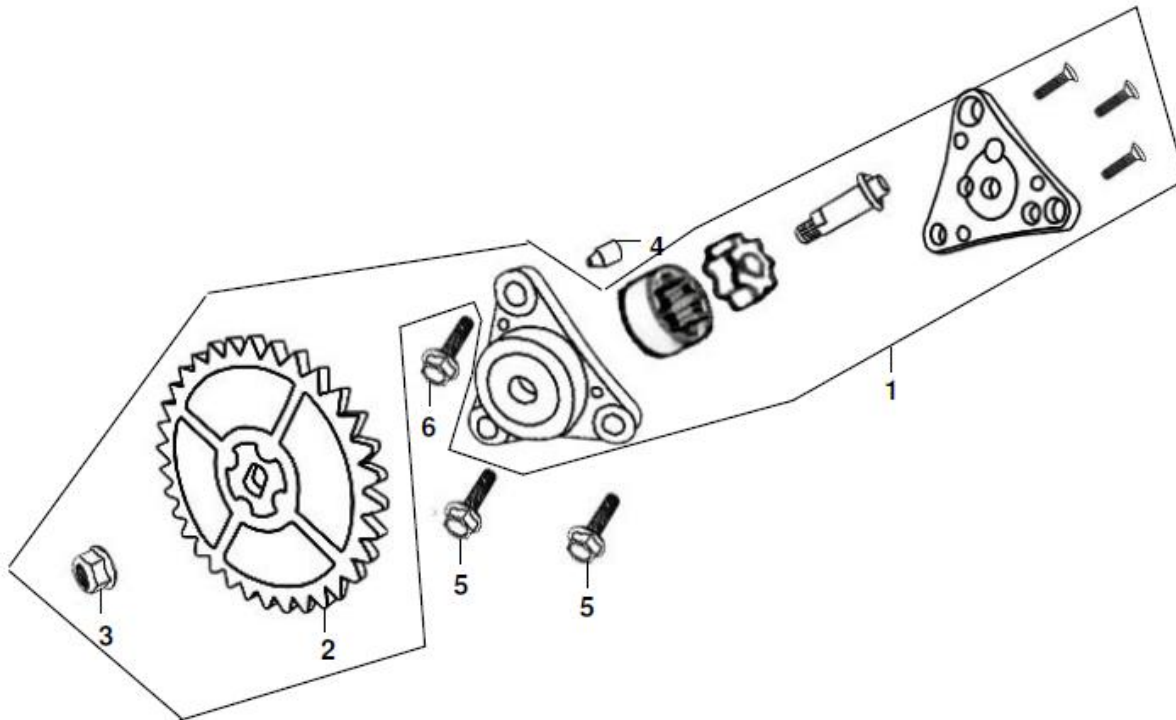
No.	Part No.	Denomination	Quantity
1	244657	R. crank case cover	1
2	244658	R. crank case cover gasket	1
3	244659	Tappet adjust hole cap	1
4	244660	Oil filter screen	1
5	244661	Oil filter screen spring	1
6	244662	Oil level gauge ASSY	1
7	244663	Oil seal 16.4X30X6	1
8	244664	O-Ring 30.8MMX3.2	1
9	244665	O-Ring 18x3	1
10	244051	Dowel pin 8x14	2
11	244635	SH. flange bolt 6x85	4
12	244500	SH. flange bolt 6x100	4

MAGNETO



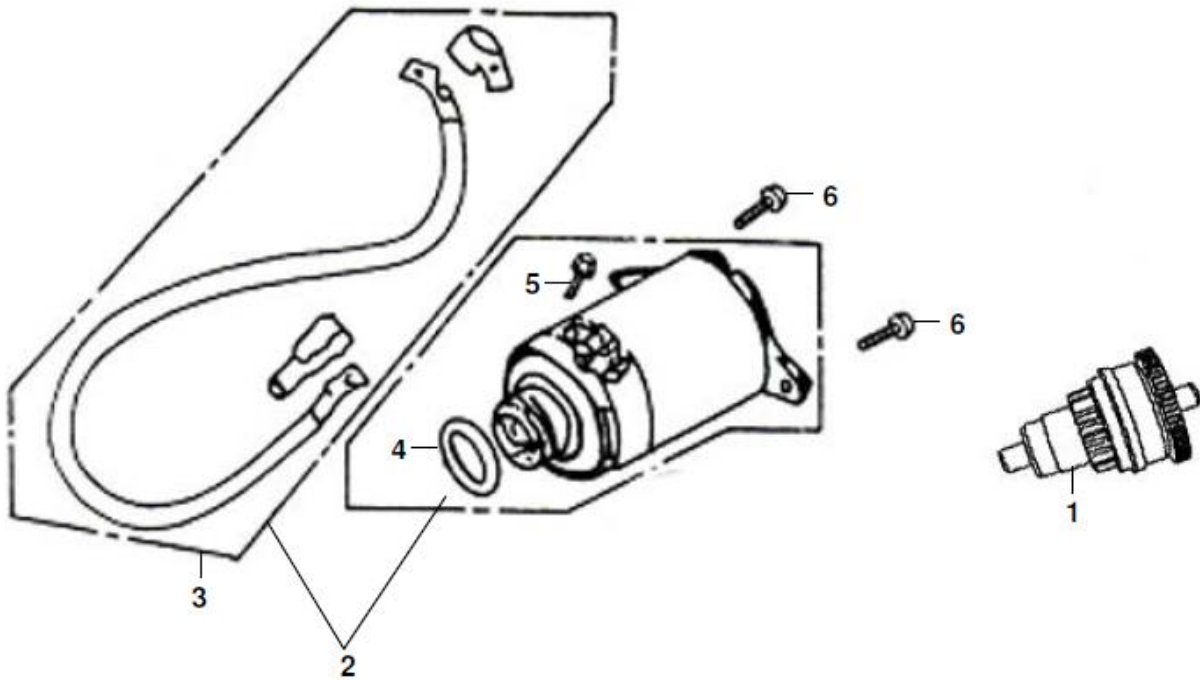
No.	Part No.	Denomination	Quantity
1	244666	Cooling fan COMP	1
2	244667	A. C. G. ASSY (CDI)	1
3	244668	A. C. G. stator	1
4	244669	A. C. G. flywheel	1
5	244670	Plain washer 10.2X20X2.0	1
6	244507	HEX. bolt 5 x12	2
7	244379	Flange nut 10MM	1
8	244508	SH. flange bolt 6x18	4
9	244004	SH. flange bolt 6x20	2

OIL PUMP



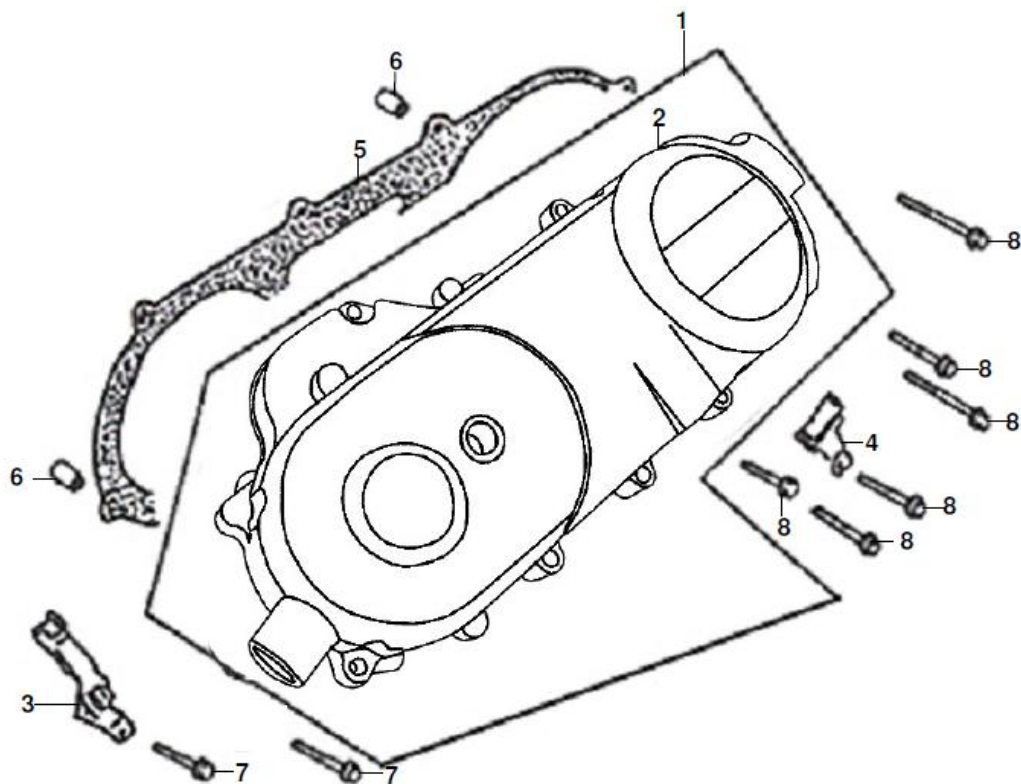
No.	Part No.	Denomination	Quantity
1	244671	Oil pump ASSY	1
2	244672	Oil pump driven gear	1
3	244235	Flange nut M6	1
4	244673	Dowel pin 8x11	1
5	244360	Tube clip B7	2
6	244430	SH. flange bolt 6*25	1
7	244674	Oil pump body	1
8	244675	Oil pump plate	1
9	244676	Oil pump shaft	1
10	244677	Oil pump inner rotor	1
11	244678	Oil pump outer rotor	1
12	244985	Pan screw 3x10	3

STARTER



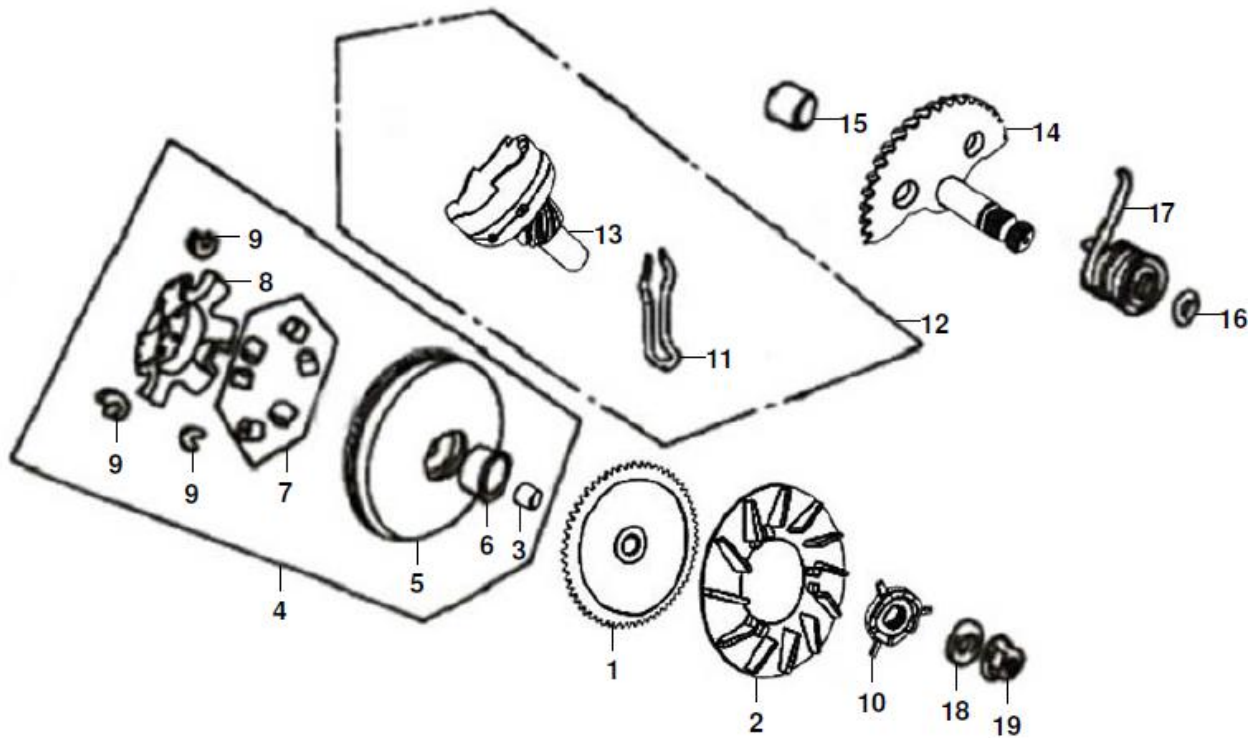
No.	Part No.	Denomination	Quantity
1	244679	Start clutch ASSY	1
2	244680	Starter motor ASSY	1
3	244681	Starter motor cable	1
4	244682	O-Ring 20x2.2	1
5	244683	Washer screw 5x8	1
6	244360	Tube clip B7	2

L. CRANK CASE COVER



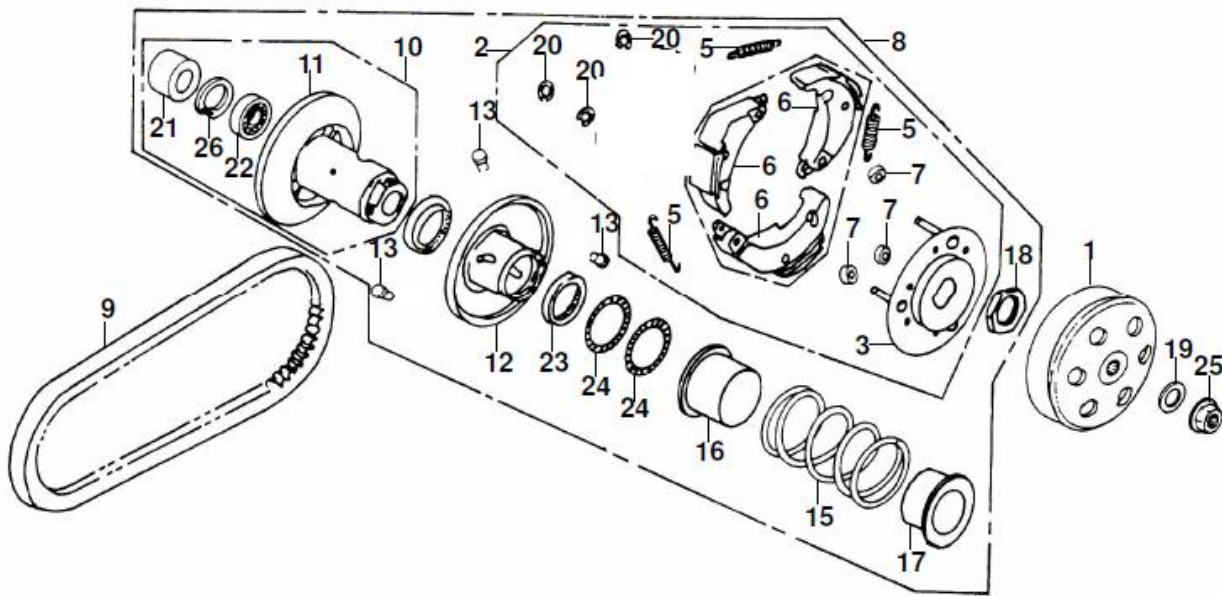
No.	Part No.	Denomination	Quantity
1	244684	L. cover ASSY	1
2	244685	L. crank case cover	1
3	244686	Throttle cable clamer	1
4	244514	Brake cable clamer	1
5	244688	L cover gasket	1
6	244051	Dowel pin 8x14	2
7	244689	SH. flange bolt 6x40	2
8	244690	SH. flange bolt 6x35	8

MOVABLE DRIVE FACE ASS'Y



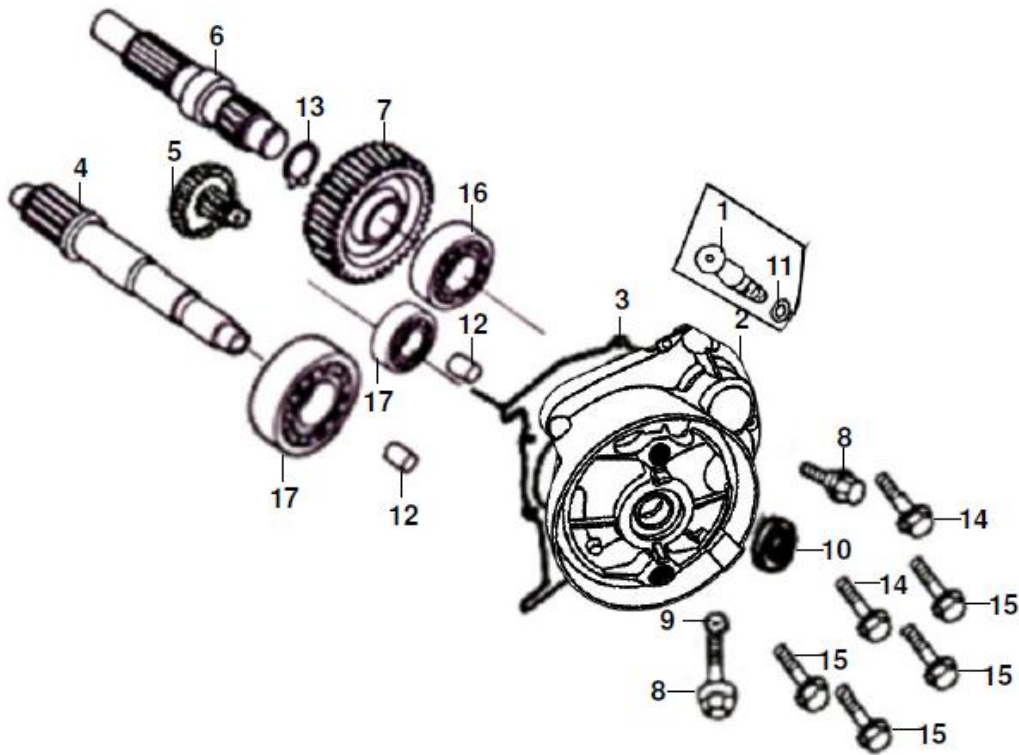
No.	Part No.	Denomination	Quantity
1	244691	Drive face	1
2	244692	DRIVEN GEAR SEAT	1
3	244693	Drive face boss	1
4	244694	Movable drive face ASSY	1
5	244695	Movable drive face COMP	1
6	244696	Bush 20x24x21	1
7	244697	Weight roller COMP	6
8	244698	Ramp plate	1
9	244699	Slide piece	3
10	244700	Dick starter driven gear Starter gear friction	1
11	244701	spring	1
12	244702	Starter idle gear ASSY	1
13	244703	Starter idle gear COMP Kick starter spindle	1
14	244704	COMP	1
15	244705	Bush 14x18x20	1
16	244706	Bush 34x38x5	1
17	244707	Kick starter spring	1
18	244708	Plain washer 12MM	1
19	244709	NUT 12MM	1

DRIVEN PULLEY ASS'Y



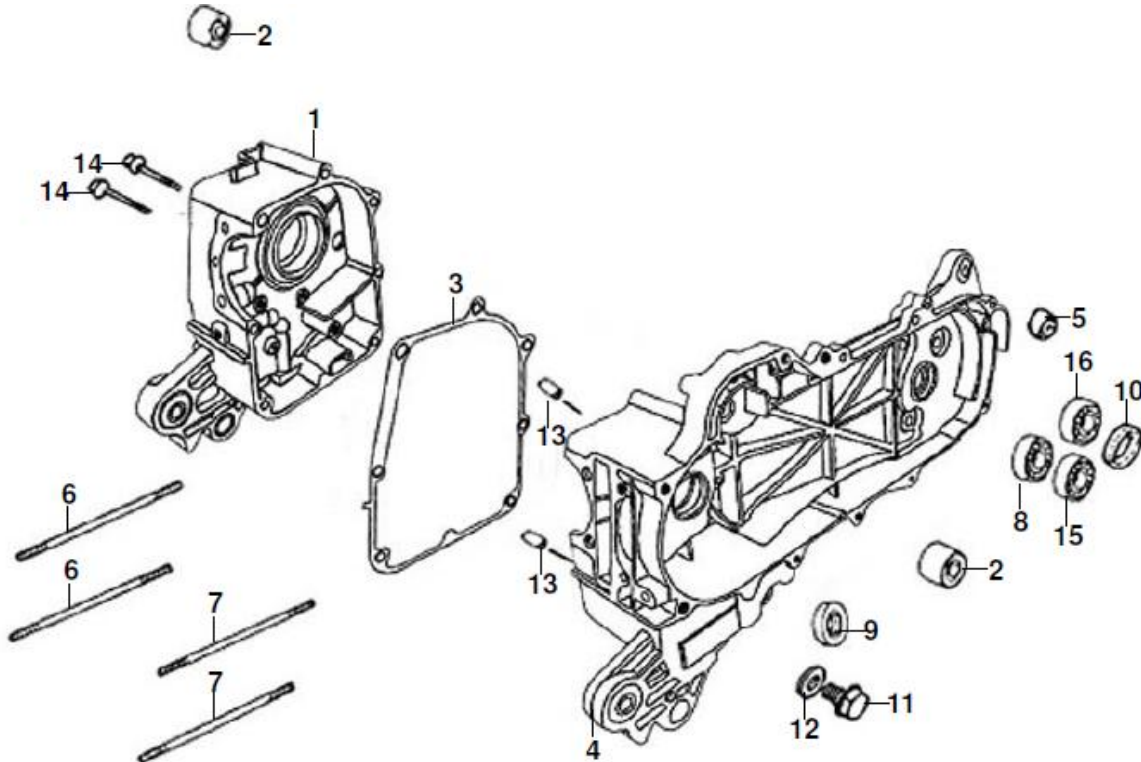
No.	Part No.	Denomination	Quantity
1	244710	Clutch outer	1
2	244711	Drive plate ASSY	1
3	244712	Drive plate COMP	1
5	244713	Clutch spring	3
6	244714	Clutch weight COMP	3
7	244715	Clutch damper rubber	3
8	244716	Driven pulley ASSY	1
9	244717	Drive belt	1
10	244718	Driven face ASSY	1
11	244719	Driven face COMP	1
12	244720	Movable driven face COMP	1
13	244721	Roller guide pin	3
15	244722	Driven face spring	1
16	244723	Seal collar	1
17	244724	Spring collar	1
18	244725	Special nut 28MM	1
19	244670	Plain washer 10.2X20X2.0	1
20	244726	Cir clip 7MM	3
21	244727	Needle bearing 17X25X18	1
22	244728	Radial ball bearing 6901U	1
23	244729	Driven face seal 33x39x3	2
24	244730	O-Ring 36x1.5	2
25	244379	Flange nut 10MM	1
26	244122	Cir clip 24MM	1

TRANSMISSION CASE,DRIVE SHAFT



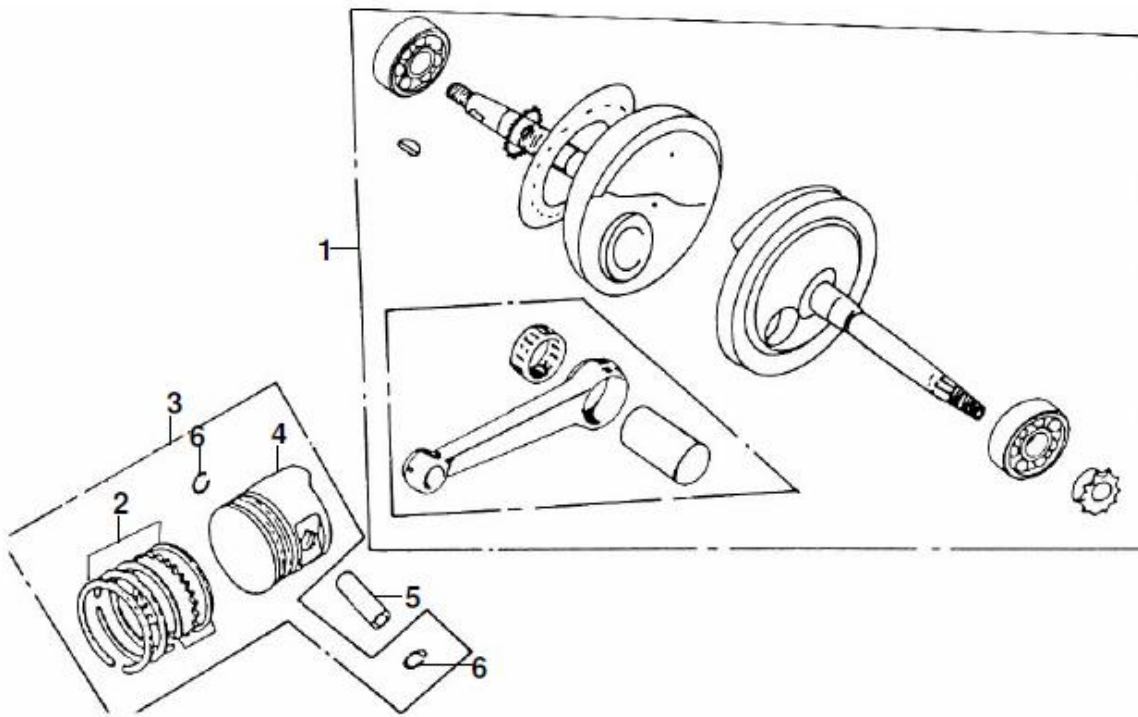
No.	Part No.	Denomination	Quantity
1	244731	Brake shoe anchor pin	1
2	244732	Mission cover	1
3	244733	Mission cover gasket	1
4	244734	Drive shaft	1
5	244735	Counter shaft COMP	1
6	244736	Final shaft	1
7	244737	Final gear COMP	1
8	244738	Special bolt 8MM	2
9	244739	Washer 8MM	2
10	244740	Oil seal 17X30X6	1
11	244741	O-Ring 7,5x1,5	1
12	244742	Dowel pin10x16	2
13	244743	EX. cir clip 20MM	1
14	244744	SH. flange bolt 8x35	2
15	244745	SH. flange bolt 6x40	5
16	244746	Radial ball bearing 6204.2	1
17	244747	Radial ball bearing 6201	2
18	244748	Brake shoe anchor pin ASSY	1

CRANK CASE



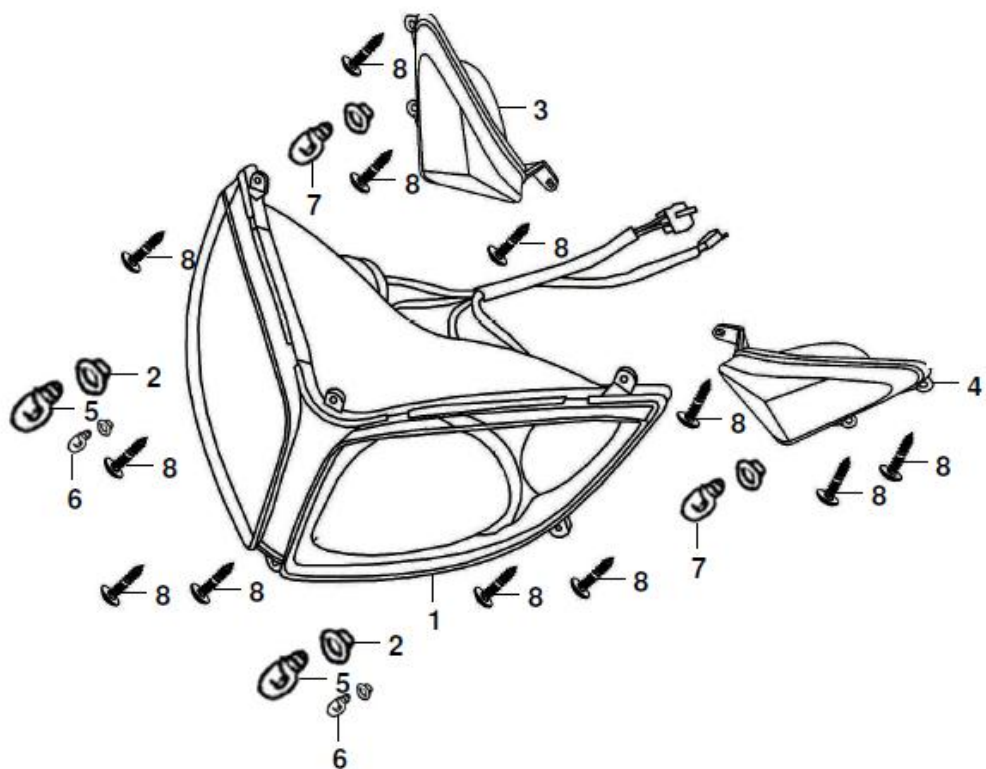
No.	Part No.	Denomination	Quantity
1	244749	R. crank case	1
2	244750	Engine hanger rubber bush	2
3	244751	Crank case gasket	1
4	244752	L. crank case COMP	1
5	244753	RR. cushion under rubber bush	1
6	244754	Cylinder stud bolt A 7x167	2
7	244755	Cylinder stud bolt B 7x176	2
8	244747	Radial ball bearing 6201	1
9	244756	Oil seal 19.8x30x5	1
10	244136	Oil seal 27x42x7	1
11	244148	Drain plug bolt 12MM	1
12	244149	Drain plug washer	1
13	244051	Dowel pin 8x14	2
14	244758	SH. flange bolt 6x50	2
15	244746	Radial ball bearing 6204.2	1
16	244759	Radial ball bearing 6303	1

CRANK SHAFT



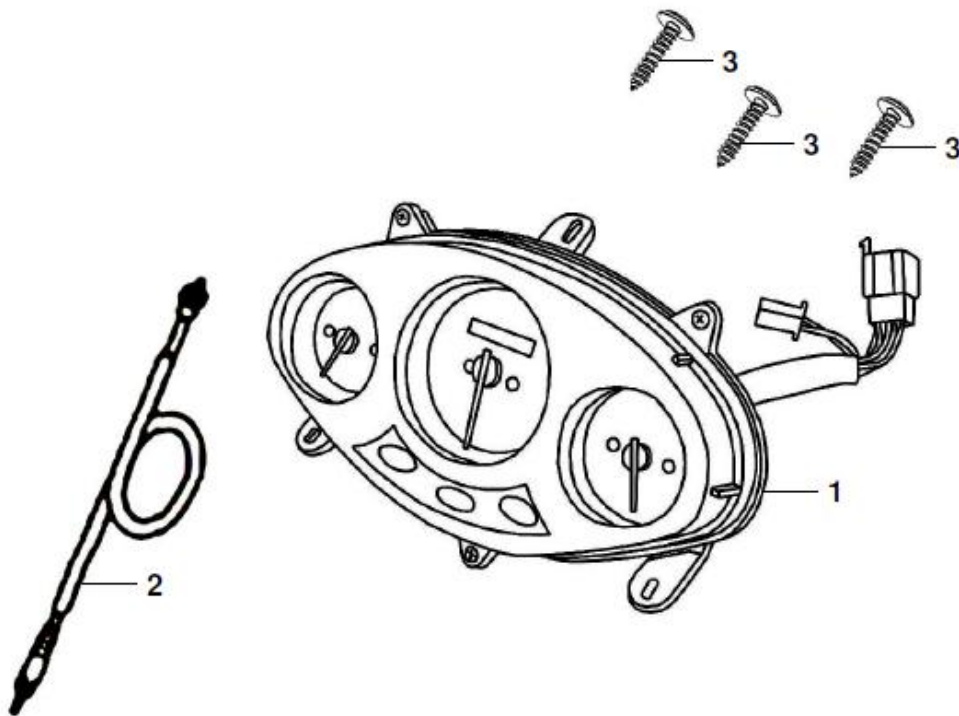
No.	Part No.	Denomination	Quantity
1	244760	Crank shaft COMP	1
2	244761	Piston ring set	1
3	244762	Piston ASSY	1
4	244763	Piston	1
5	244764	Piston pin	1
6	244765	Piston pin clip 13	2
	244766	Piston top ring 52.4x10	1
	244767	Piston second ring 52.4x10	1
	244768	Piston oil ring	1
	244769	Connecting rod	1
	244770	R. crank shaft	1
	244771	L. crank shaft	1
	244772	R. crank side plate	1
	244773	Crank pin	1
	244774	Timing sprocket	1
	244775	Oil pump drive sprocket	1
	244776	Woodruff key 25x14x4	1
	244777	Radial ball bearing 6204	2
	244778	Connecting rod bearing	1

HEAD LIGHT



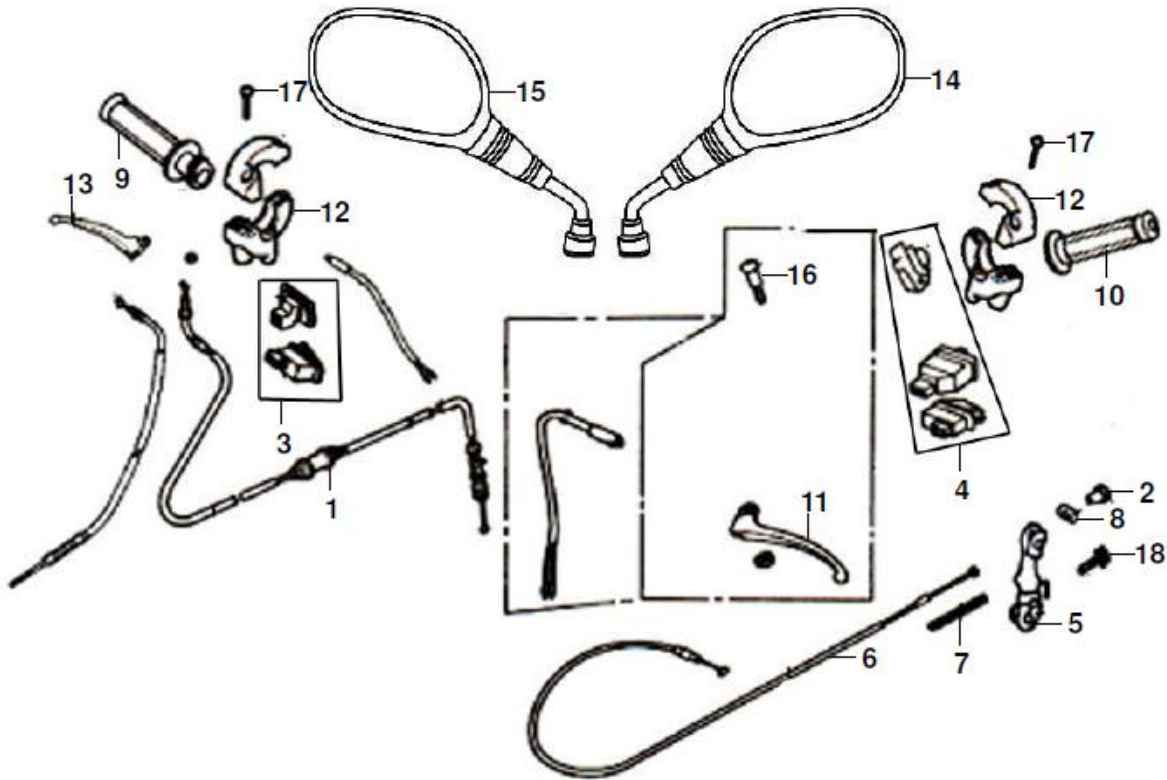
No.	Part No.	Denomination	Quantity
1	244779	Head light ASSY	1
2	244780	Head light socket COMP	2
3	244781	L. FR. winker ASS'Y	1
4	244782	L. FR. winker ASS'Y	1
5	244783	Head light bulb	2
6	244784	FR. positin light bulb	2
7	244785	Winker light bulb	2
8	244786	Tapping screw 4.2X12	12

SPEEDO METER



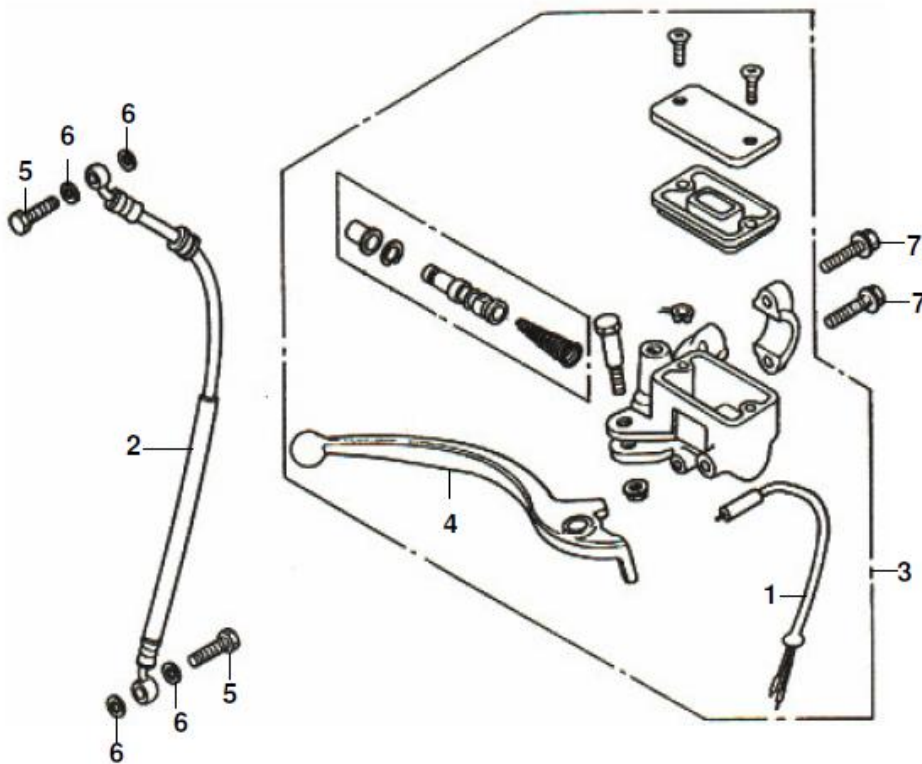
No.	Part No.	Denomination	Quantity
1	244787	Speedometer ASSY	1
2	244788	Speedometer cable	1
3	244786	Tapping screw 4.2X12	3

CABLE, SWITCH, HANDLE LEVER



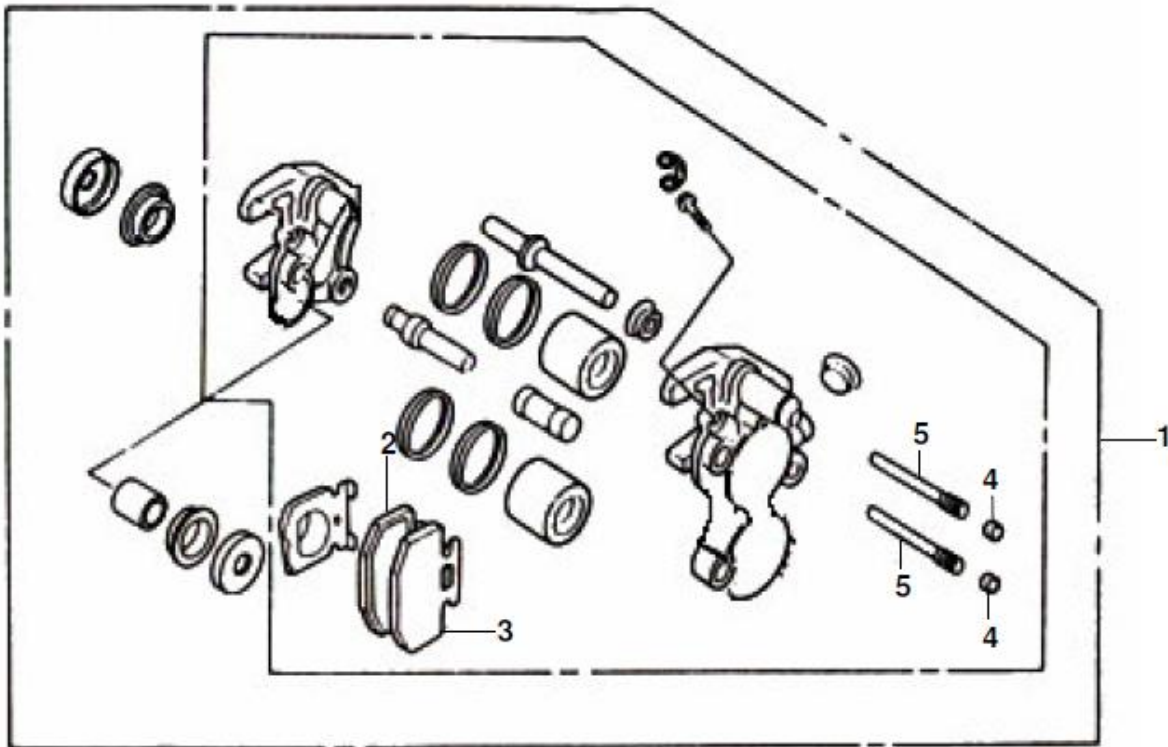
No.	Part No.	Denomination	Quantity
1	244789	Throttle cable COMP	1
2	244790	Distance tube	1
3	244791	R.HNDL.SW.ASSY	1
4	244792	L.HNDL.SW.ASSY	1
5	244793	RR. Brake arm	1
6	244794	RR. Brake cable COMP	1
7	244795	RR. Brake return spring	1
8	244796	BRK. cable cap boot	1
9	244797	R. Handle grip	1
10	244798	L. Handle grip	1
11	244799	L. Steering handle lever	1
12	244800	Throttle under housing	2
13	244801	R. Steering handle lever	1
14	244802	R. Back mirror ASSY	1
15	244803	L. Back mirror ASSY	1
		Handle lever pivot	
16	244804	screw	1
17	244805	Pan screw M6x25	4
18	244806	Flange bolt M6x40	1
19	244807	Back mirror stripe	2

FRONT BRAKE MASTER CYLINDER



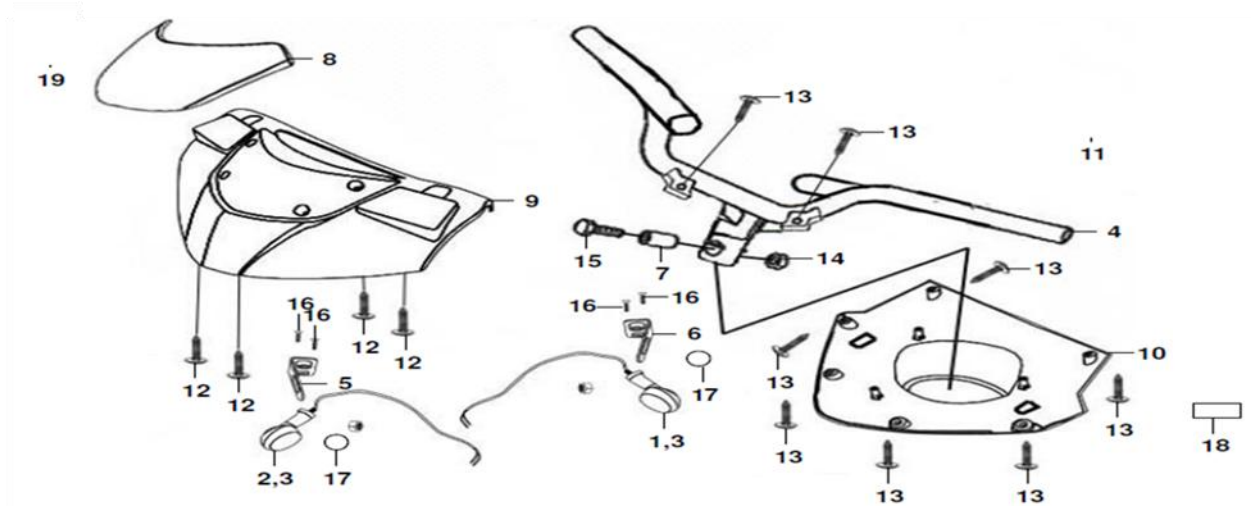
No.	Part No.	Denomination	Quantity
1	244808	FR. stop SW. ASSY	1
2	244809	FR. brake hose ASSY	1
3	244810	FR. master cylinder ASSY	1
4	244801	R. Steering handle lever	1
5	244195	Oil bolt 10X22	2
6	244196	Oil bolt washer	4
7	244197	Flange bolt M6X22	2

FRONT CALIPER ASSY



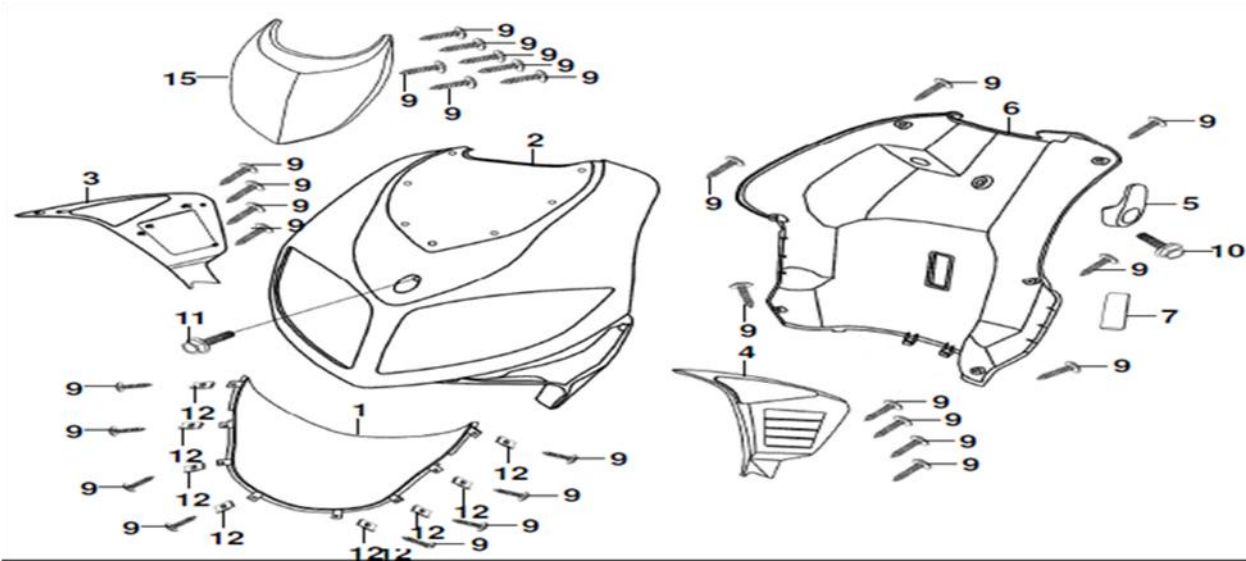
No.	Part No.	Denomination	Quantity
1	244811	Caliper ASSY	1
2	244812	Pad A COMP	1
3	244813	Pad B COMP	1
4	244195	Oil bolt 10X22	2
5	244814	Flange bolt M8x30	2

HANDLE PIPE, HANDLE COVER



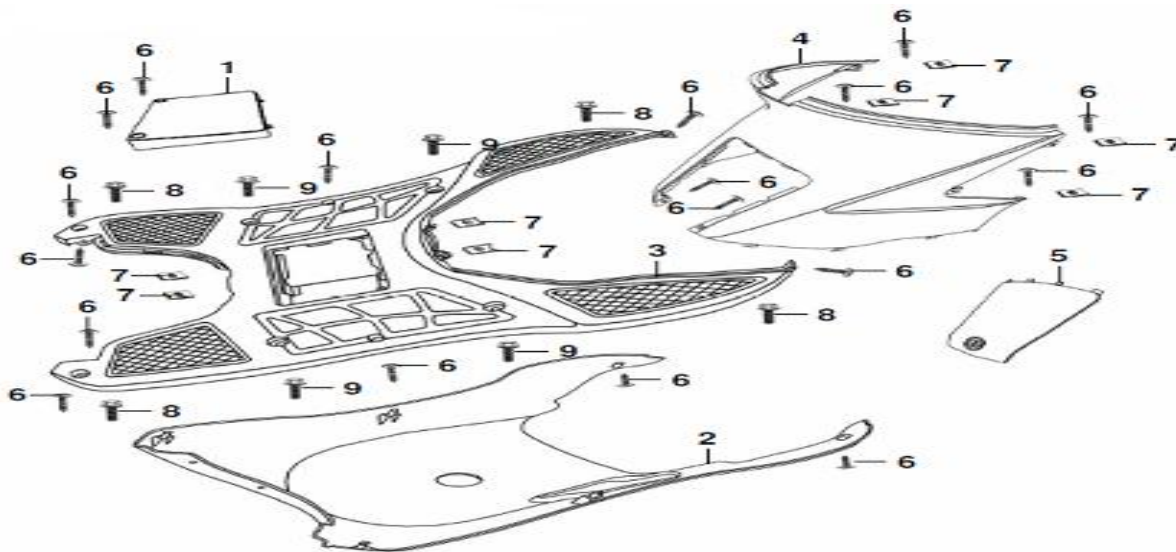
No.	Part No.	Denomination	Quantity
1	244781	L. FR. winker ASS'Y	1
2	244782	L. FR. winker ASS'Y	1
3	244785	Winker light bulb	2
4	244815	STRG. handle	1
5	244816	FR R winker STAY	1
6	244817	FR L winker STAY	1
7	244818	Handle setting collar	1
8	244819	Meter visor COMP	1
9	244820	FR. up handle cover	1
10	244821	FR. under handle cover	1
12	244823	Tapping screw 3.8X10	4
13	244786	Tapping screw 4.2X12	8
14	244190	U. flange nut 10MM	1
15	244824	Flange bolt 10X45	1
16	244825	Flange bolt 6X16	4
17	244826	FR. R/L winker plate	2

FRONT COVER, FRONT INNER BOX



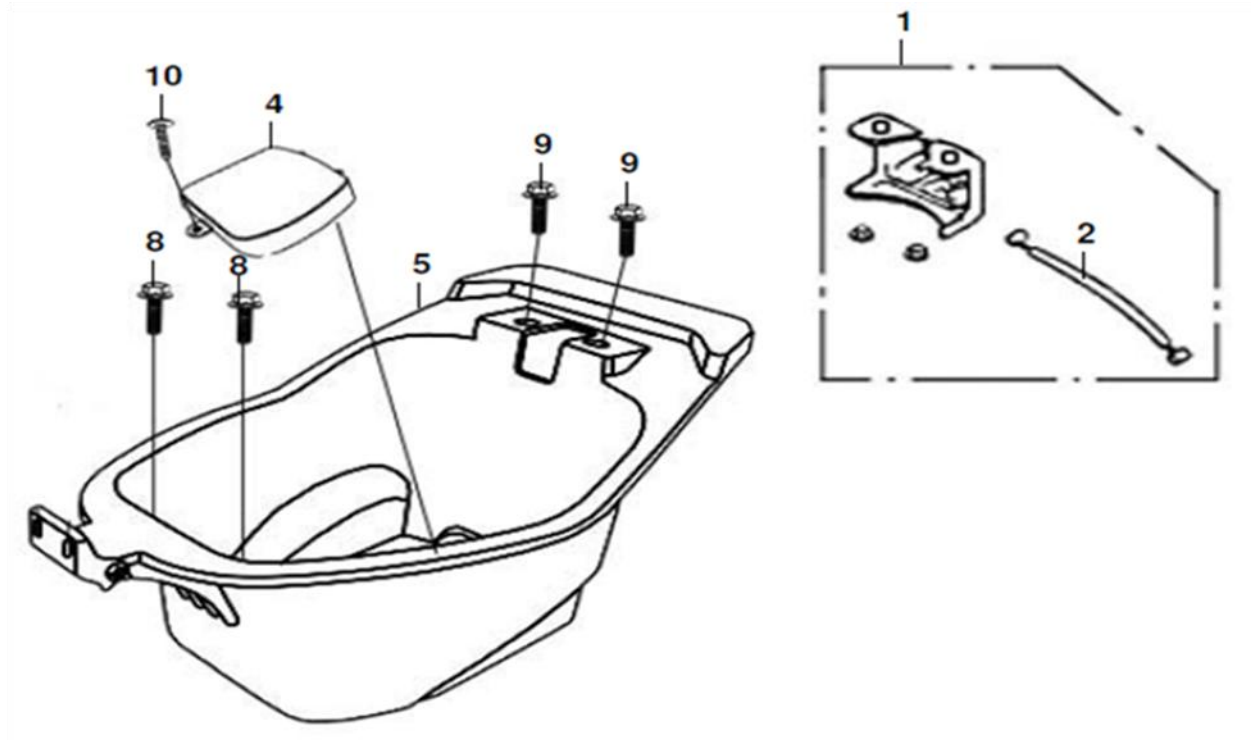
No.	Part No.	Denomination	Quantity
1	244829	FR. under fender	1
2	244830	FR. cover	1
3	244831	FR. R winker cover	1
4	244832	FR. L winker cover	1
5	244833	Head piece stay	1
6	244834	Inner box	1
9	244786	Tapping screw 4.2X12	29
10	244836	Bolt M6X25	1
11	244233	Bolt 6X16	1
12	244837	Spring nut 4MM	8
15	244840	FR. cover emblem	1

FLOOR PANEL, CENTER COVER



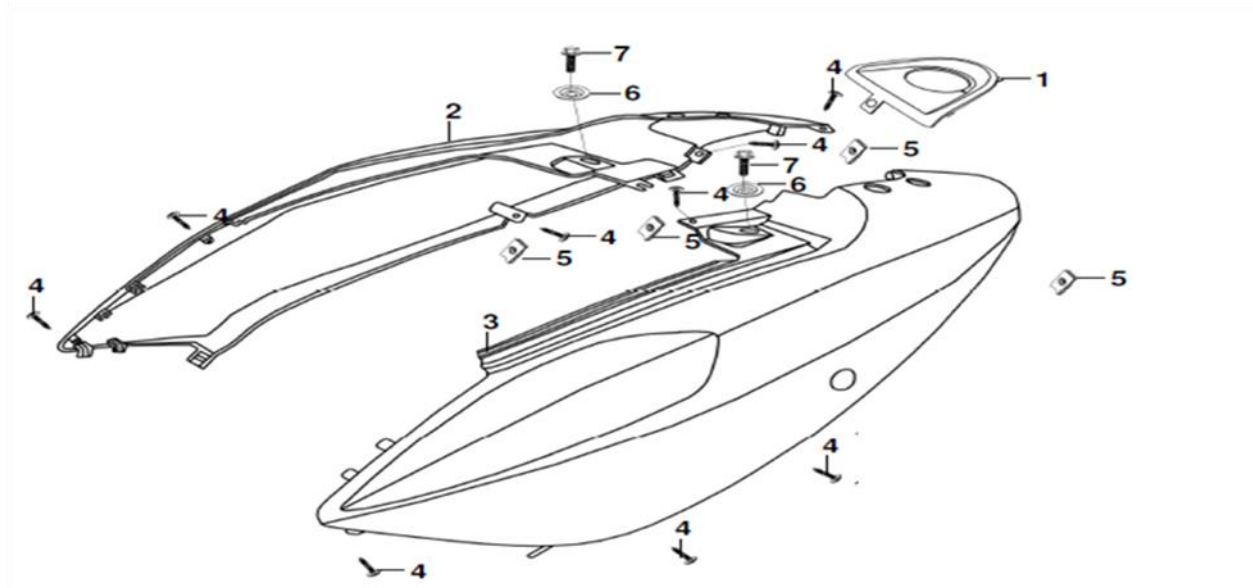
No.	Part No.	Denomination	Quantity
1	244841	Battery cover	1
2	244842	Under cover	1
3	244843	Floor panel	1
4	244844	Center cover A	1
5	244845	Center cover B	1
6	244786	Tapping screw 4.2X12	18
7	244837	Spring nut 4MM	8
8	244846	Flange blot M6x12	4
9	244847	Flange bolt 6X16	4

REAR GRIP



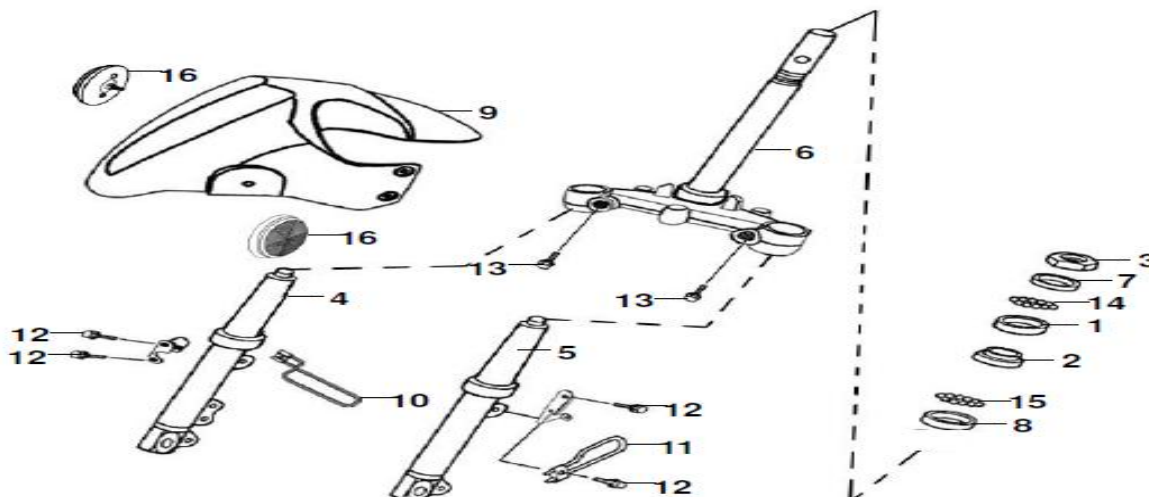
No.	Part No.	Denomination	Quantity
1	244849	Seat catch	1
2	244850	Seat lock cable	1
4	244852	CARB. main cover	1
5	244853	FR. up handle cover stripe	1
8	244855	Flange bolt 6X14	2
9	244846	Flange blot M6x12	2
10	244786	Tapping screw 4.2X12	1

REAR BODY COVER



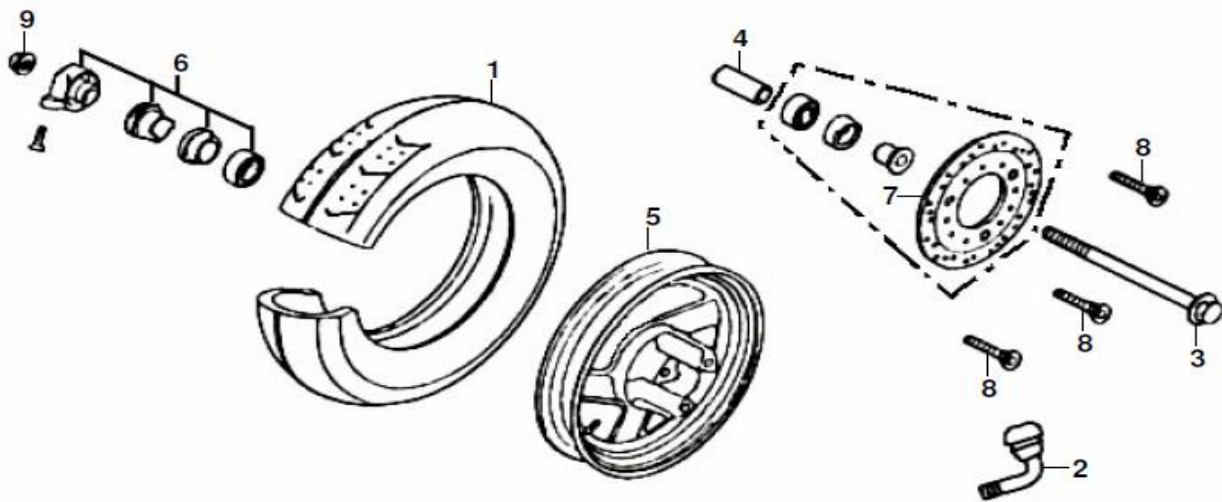
No.	Part No.	Denomination	Quantity
1	244856	Fuel tank cap cover	1
2	244857	R. body cover	1
3	244858	L. body cover	1
4	244786	Tapping screw 4.2X12	9
5	244837	Spring nut 4MM	4
6	244859	Pan washer	2
7	244846	Flange blot M6x12	2
*	244986	Decals Nitro 50 CPL	1

FRONT FORK STEERING STEM, FRONT CUSHION



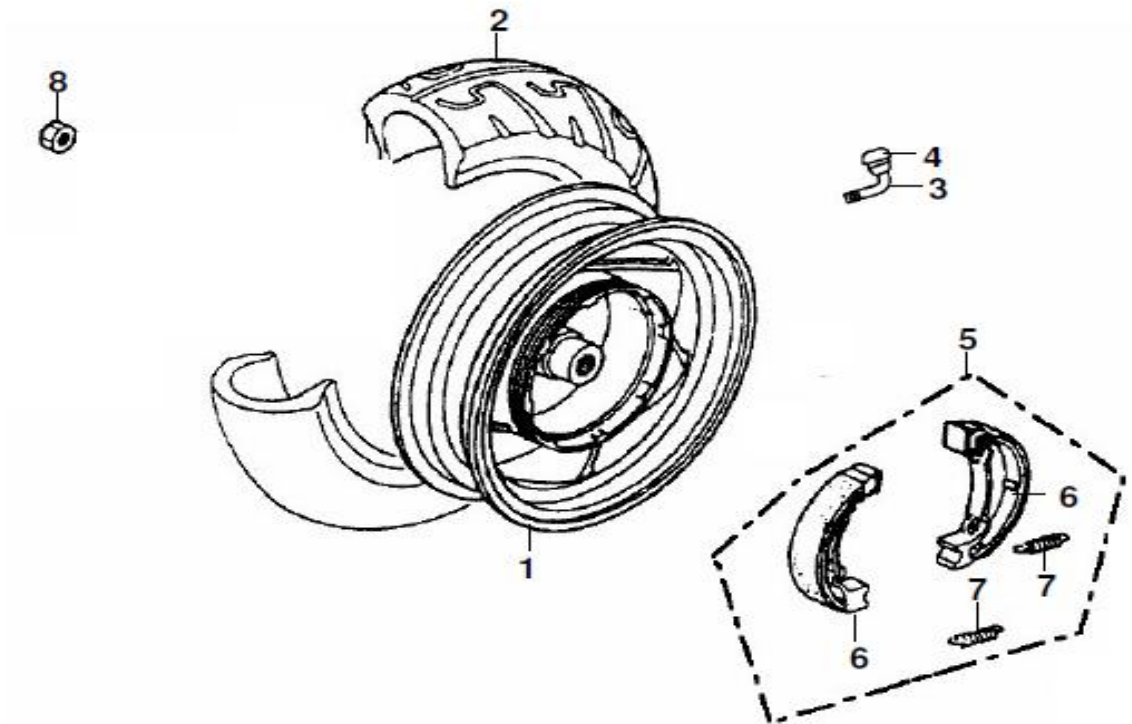
No.	Part No.	Denomination	Quantity
1	244862	STRG.up ball race	1
2	244863	Race STRG.bot ball	1
3	244864	STRG. stem lock nut	1
4	244865	R.FR. cushion	1
5	244866	L.FR. cushion	1
6	244867	Streeing stem	1
7	244868	STRG. top cone	1
8	244869	Cone STRG. bottom	1
9	244870	FR. fender	1
10	244871	FR. fender plate A	1
11	244872	FR. fender plate B	1
12	244846	Flange blot M6x12	4
13	244873	Flange bolt M12X32	2
14	244874	Steel ball 5#	1
15	244875	Steel ball 5#	1
16	244876	Side reflex reflector	2

FRONT WHEEL



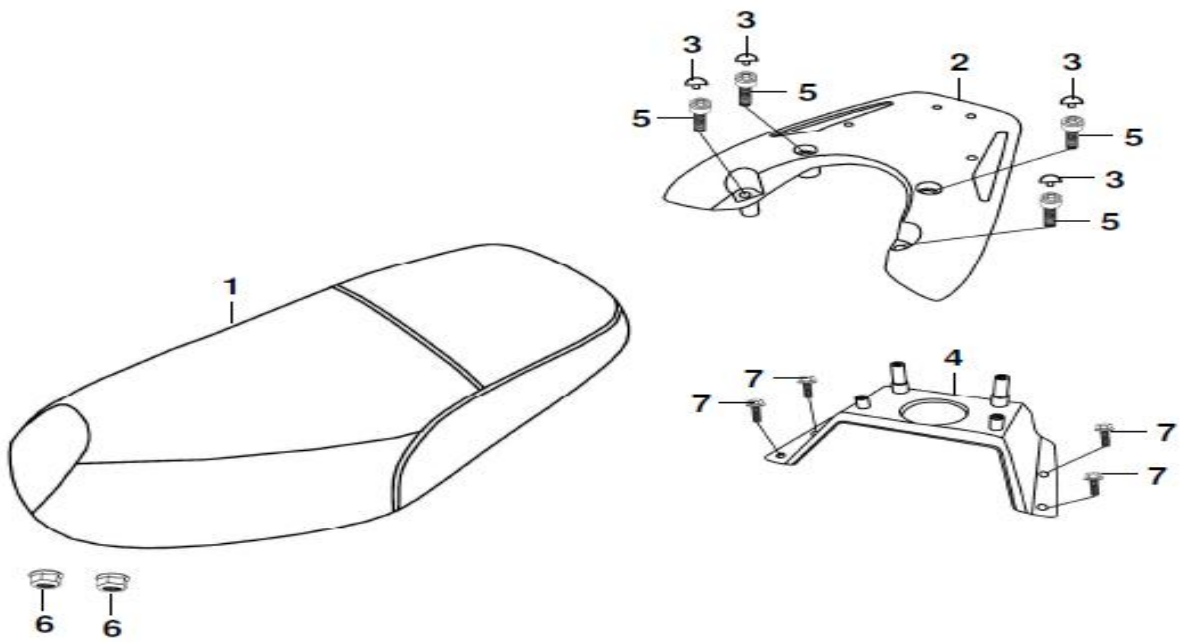
No.	Part No.	Denomination	Quantity
1	244877	RR. Tire ASSY	1
2	244878	Rim valve	1
3	244879	FR. wheel axle M12x225	1
4	244880	FR. wheel side collar	1
5	244881	FR. wheel cast	1
6	244882	Speedometer gear box ASSY	1
7	244883	FR. brake disk	1
8	244884	FR. disk bolt M8x22	3
9	244885	U nut M12x1.25	1

REAR WHEEL



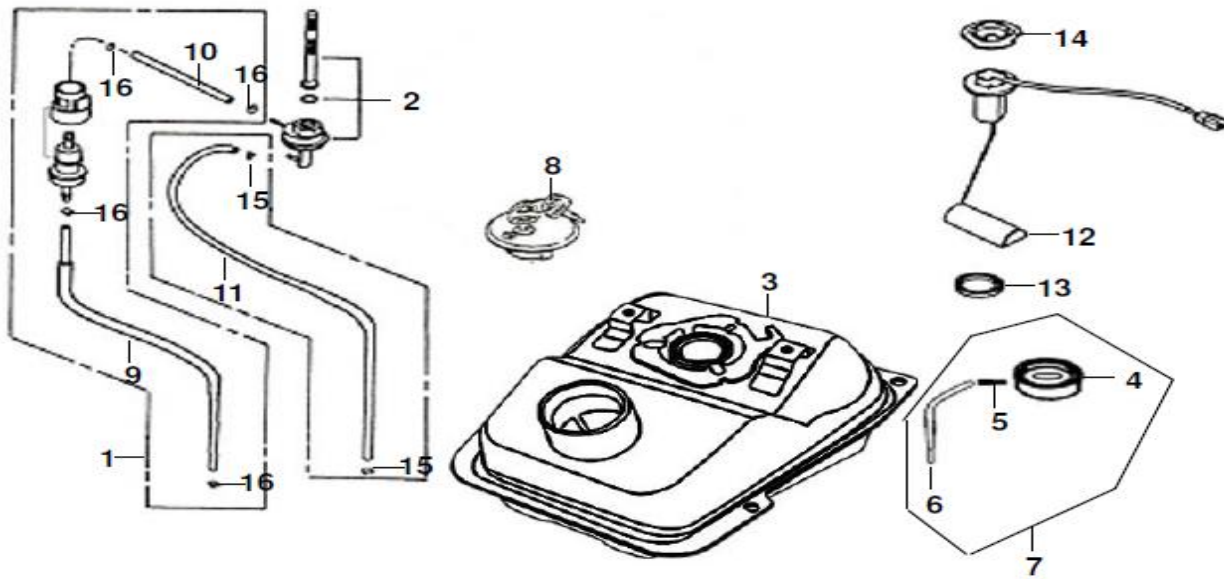
No.	Part No.	Denomination	Quantity
1	244886	RR. wheel cast	1
2	244877	RR. Tire ASSY	1
3	244878	Rim valve	1
4	244887	Valve rim cap	1
5	244888	RR. Brake shoe ASSY	1
6	244889	RR. brake arm COMP	1
7	244890	Brake shoe spring	2
8	244891	U nut M16x1.5	1
*	244892	Brake arm joint B	1
*	244315	Adjuster nut B	1

SEAT REAR GRIP



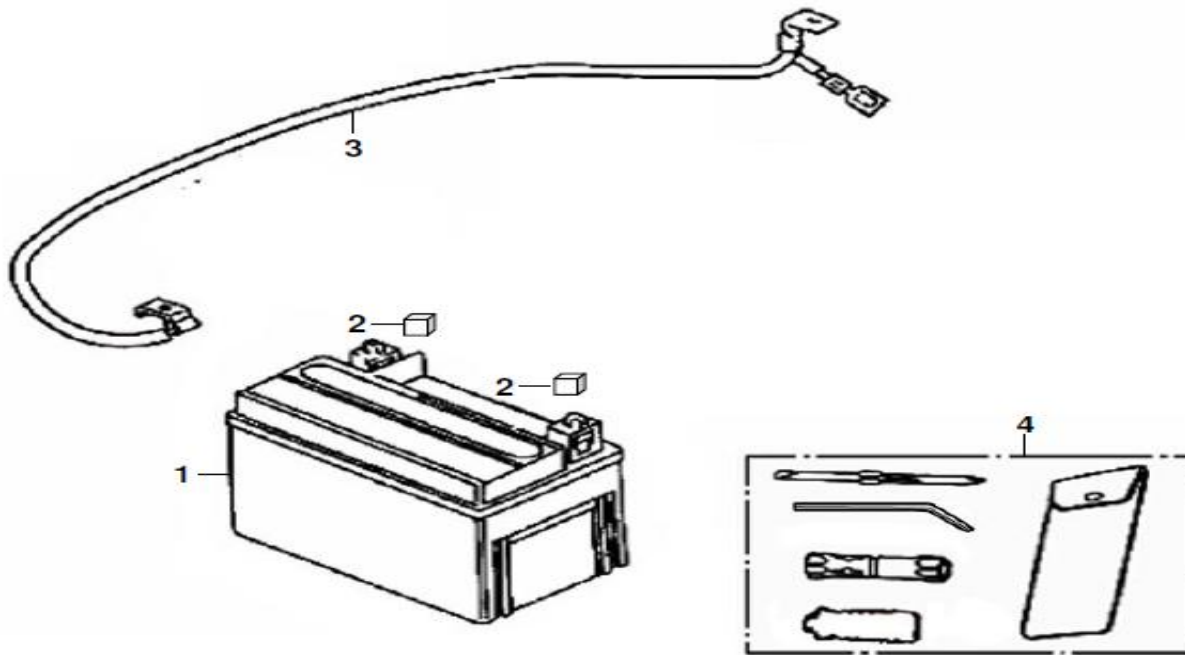
No.	Part No.	Denomination	Quantity
1	244893	Double seat	1
2	244894	RR. carrier	1
3	244895	Bolt cover	4
4	244896	L. body cover stripe	1
5	244897	Socket bolt 8X40	4
6	244235	Flange nut M6	2
7	244846	Flange blot M6x12	4

FUEL TANK



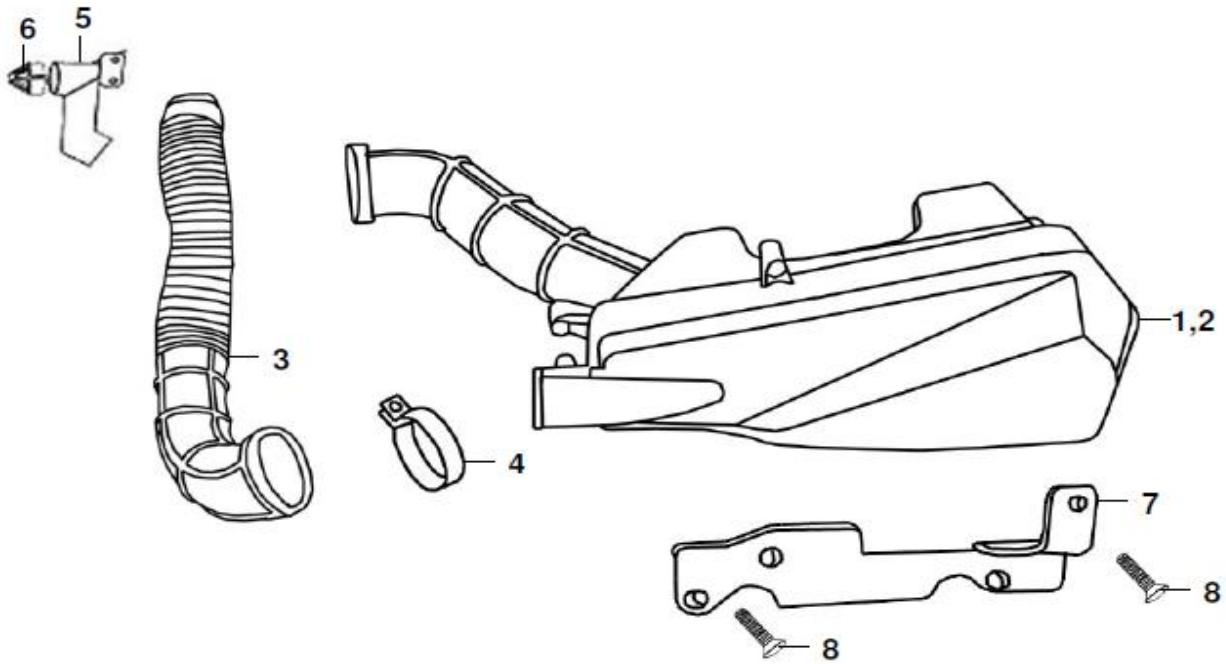
No.	Part No.	Denomination	Quantity
1	244898	Fuel strainer ASSY	1
2	244899	Fuel cock ASSY	1
3	244900	Fuel tank COMP	1
4	244901	Fuel guide rubber	1
5	244902	Fuel Waster tube joint	1
6	244903	Waster fuel tube	1
7	244904	Fuel guide rubber ASSY	1
8	244905	Fuel filler cap COMP	1
9	244906	Fuel tube (400MM)	1
10	244907	Fuel tube (170MM)	1
11	244908	Vacuum tube	1
12	244909	Fuel unit	1
13	244334	Base packing	1
14	244335	Ret fuel unit	1
15	244336	Tube clip B7	2
16	244910	Tube clip B8	6

BATTERY, TOOL BOX



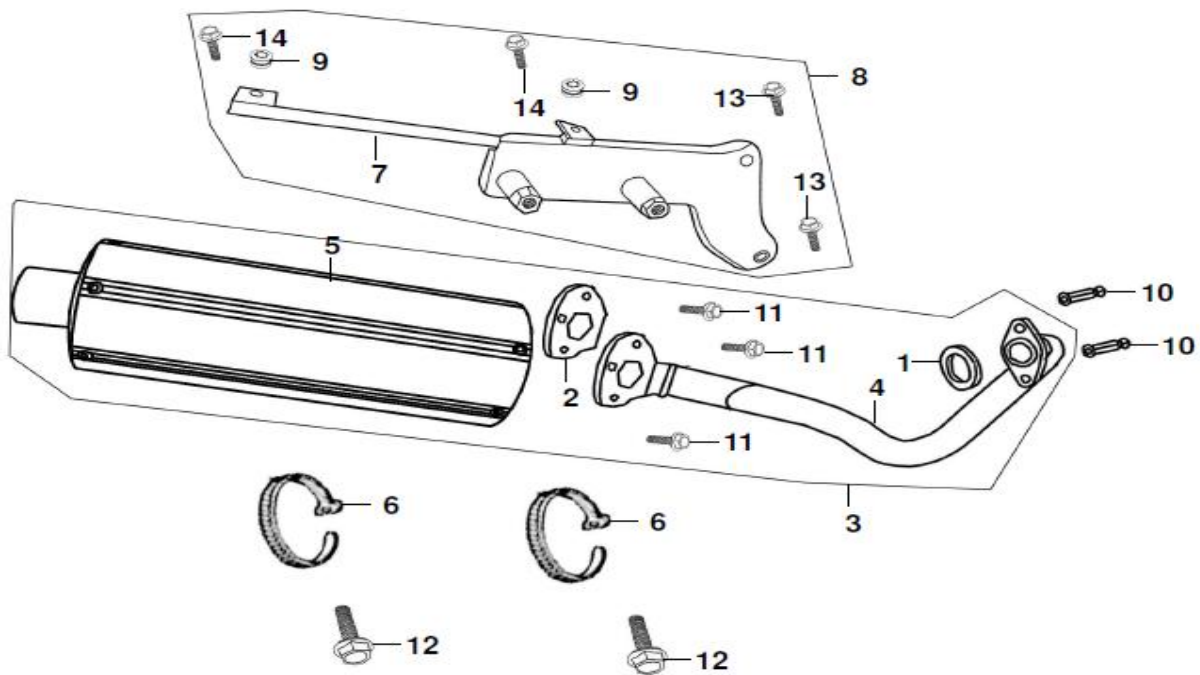
No.	Part No.	Denomination	Quantity
1	244338	Battery cpl	1
2	244911	Battery rubber	2
3	244912	Battery cable	1
4	237738	Cable	1
5	244913	Tool set	1

AIR CLEANER



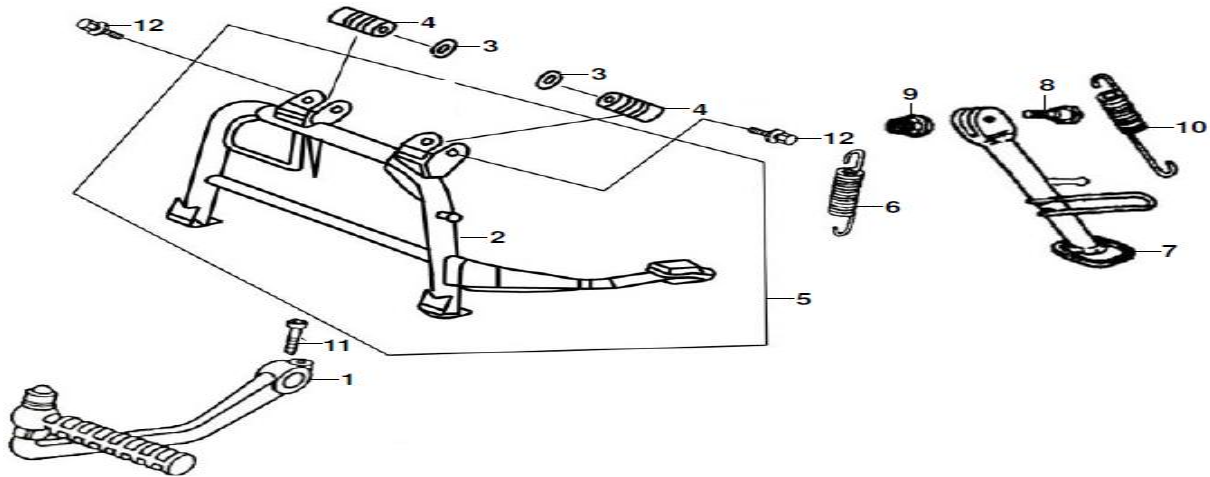
No.	Part No.	Denomination	Quantity
1	244914	Air cleaner ASSY	1
2	244915	AIR/C. element COMP	1
3	244916	AIR/C inlet tube	1
4	244917	AIR/C inlet tube band	1
5	244918	AIR/C connecting tube	1
6	244919	AIR/C connecting tube cover	1
7	244920	AIR/C stay	1
8	244825	Flange bolt 6X16	2

EXHAUST MUFFLER



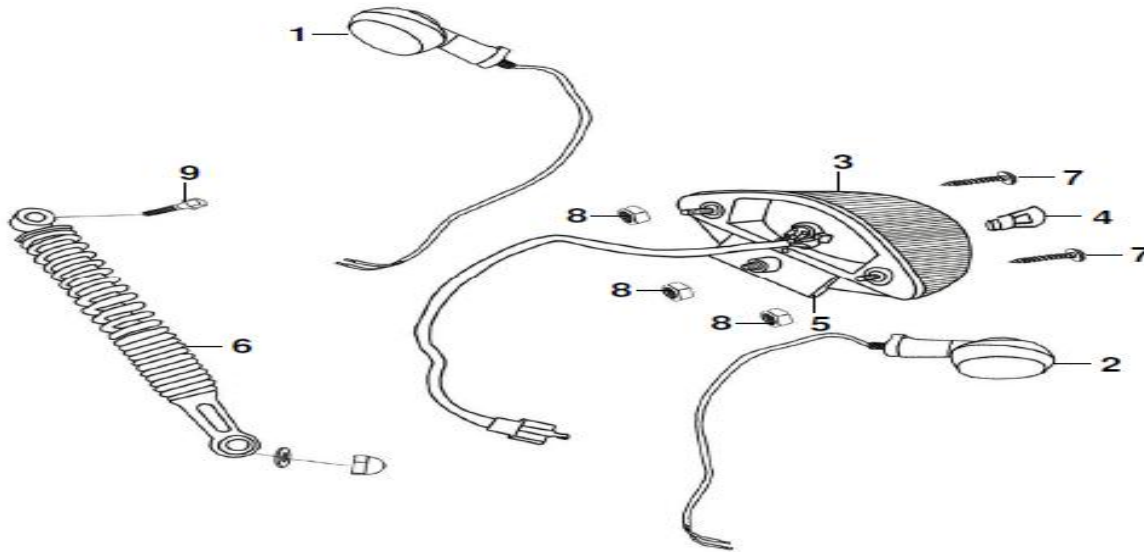
No.	Part No.	Denomination	Quantity
1	244921	EXH. pipe gasket	1
2	244922	EXH. pipe gasket A	1
3	244923	EXH. muffler ASS'Y	1
4	244924	FR. EXH.muffler COMP	1
5	244925	RR. EXH. muffler COMP	1
6	244926	EXH. muffler rubber	2
7	244927	RR. fork	1
8	244928	RR. fork ASSY	1
9	244929	Rubber	2
10	244930	HEX. cap nut 6MM	2
11	244931	Flange bolt M8X16	3
12	244932	Flange bolt M8X20	2
13	244933	Flange bolt M8X40	2
14	244934	Flange bolt M6X20	2

MAIN STAND, KICK STARTER ARM



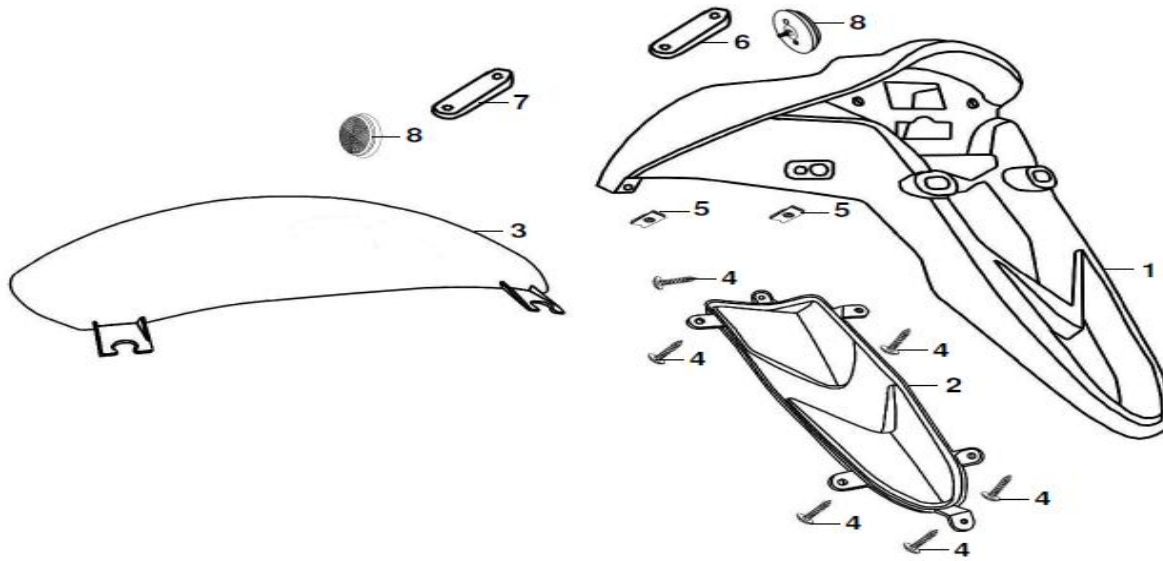
No.	Part No.	Denomination	Quantity
1	244935	Kick starter arm ASSY	1
2	244936	Main stand COMP	1
3	244937	Main stand washer	2
4	244938	Main stand collar	2
5	244939	Main stand ASSY	1
6	244940	Main stand spring	1
7	244941	Side stand COMP	1
8	244942	Side stand pivot screw	1
9	244943	NUT U. flange 8MM	1
10	244944	Side stand spring B1	1
11	244945	Flange bolt 6X25	1
12	244946	Flange bolt M8X40	2

TAIL LIGHT, RR. CUSHION



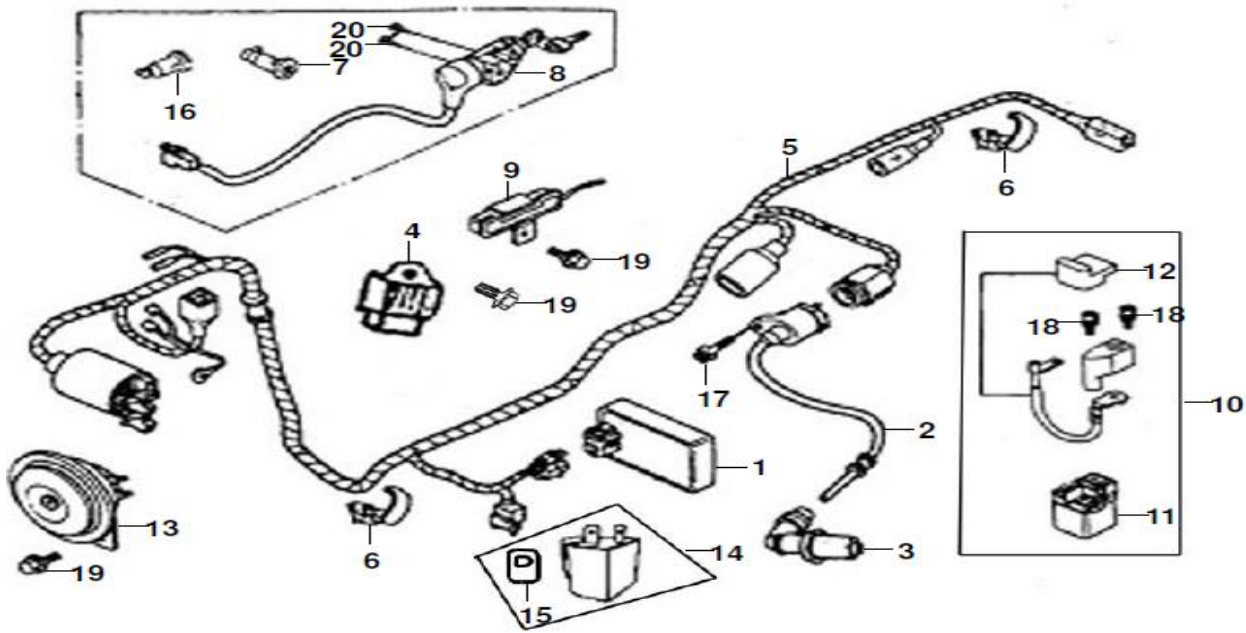
No.	Part No.	Denomination	Quantity
1	244947	FR.R.winker	1
2	244948	FR.L.winker	1
3	244949	Tail light ASSY	1
4	244950	Tail light bulb RR. reflex	1
5	244951	reflector	1
6	244952	RR.cushion	1
7	244953	Screw 4.2X34	2
8	244235	Flange nut M6	3
9	244954	Hex bolt M10X40	1

REAR FENDER, REAR INNER FENDER



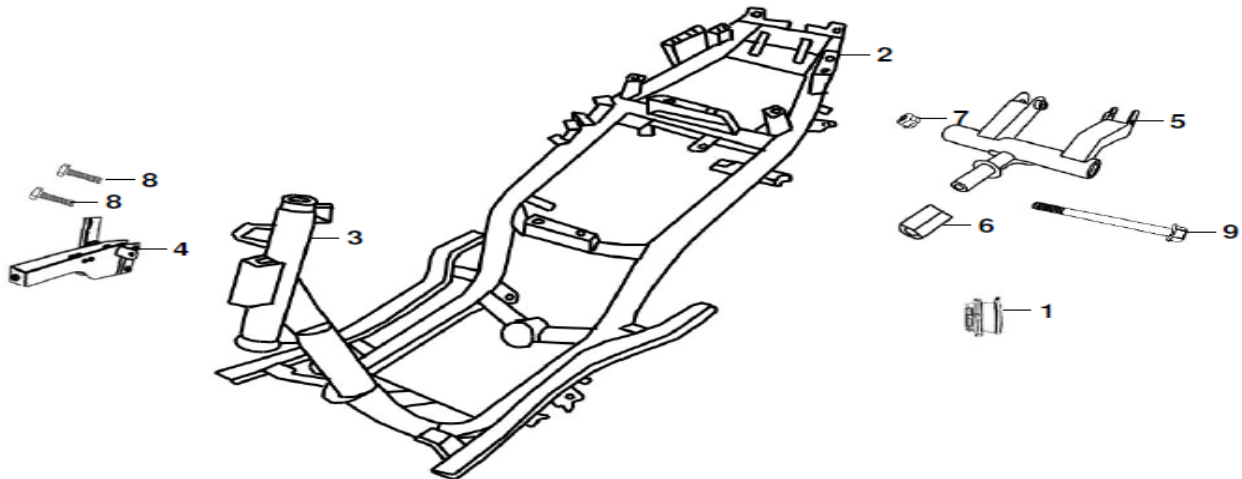
No.	Part No.	Denomination	Quantity
1	244955	RR.fender A	1
2	244956	RR.fender B	1
3	244957	RR.inner fender COMP	1
4	244786	Tapping screw 4.2X12	6
5	244837	Spring nut 4MM	2
6	244958	RR. R reflector stay	1
7	244959	RR. L reflector stay	1
8	244960	RR. side reflector reflctor	2

WIRE HARNESS



No.	Part No.	Denomination	Quantity
1	244961	C.D.I. COMP 45km/h	1
1	237779	C.D.I. COMP 25 km/h	1
2	244962	IGN Coil ASSY	1
3	244963	Noise suppressor cap ASSY	1
4	244390	REG. REC COMP	1
5	244964	Wire harness	1
6	244965	Band wire	2
7	244966	Key set	1
8	244967	Main. SW.COMP	1
9	244968	Resistor COMP	1
10	244969	MAG.SW.COMP	1
11	244970	Start magnetic switch	1
12	244971	MAG.SW. shock rubber	1
13	244972	Horn COMP	1
14	244973	Winker relay ASSY	1
15	244974	Winker relay suspension	1
16	244975	Seat lock	1
17	244976	Washer screw M5x25	1
18	244235	Flange nut M6	2
19	244846	Flange blot M6x12	3
20	244825	Flange bolt 6X16	2

FRAME BODY,ENGINE HANGER



No.	Part No.	Denomination	Quantity
1	244977	L. cover duct ASSY	1
2	244978	Frame body COMP	1
3	244979	Head pipe COMP	1
4	244980	FR. cover stay	1
5	244981	ENG hanger	1
6	244982	ENG. hanger rubber	1
7	244190	U. flange nut 10MM	1
8	244983	Flange bolt 6X40	2
9	244984	Flange bolt M10X230	1



TOMOS



TOMOS D.O.O.
MOTOINDUSTRIJA
ŠMARSKA CESTA 4
SLOVENIJA

TOMOS INC.
202 BEECHTREE BLVD.
GREENVILLE, SC 29605
USA

TOMOS NEDERLAND B.V.
KWEK WEG 34 - 8161 PG EPE
POSTBUS 172 - 8160 AD EPE
NEDERLAND